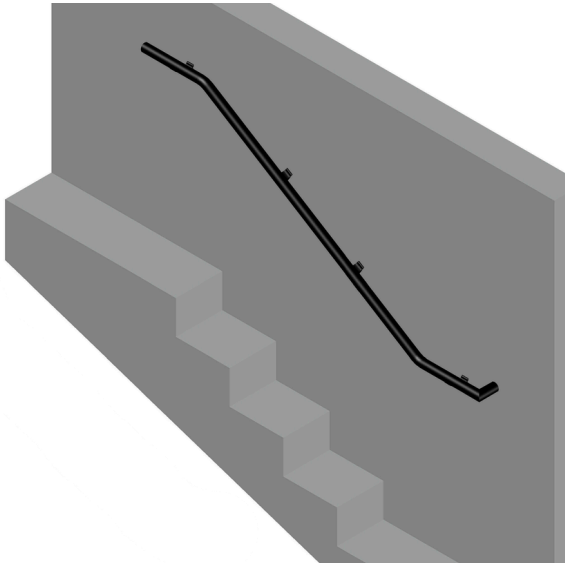




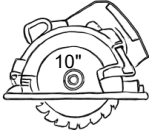
Pipe Handrail Installation Guide

Guide d'installation Main courante tubulaire



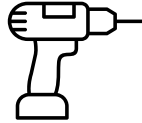
Tools required (not provided) / Outils requis (non fournis)

Handsaw 10" Miter Saw
with thin (Kerf)



Scie a Onglets 1 0" avec
lame mince (Kerf)

5/32" pre-drill hole



Prépercer un trou de 5/32"

Hex-Head Driver Bit



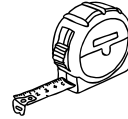
Embout à tête hexagonale

No. 2 Robertson
Screwdriver



Tournevis Robertson n° 2

Measuring Tape



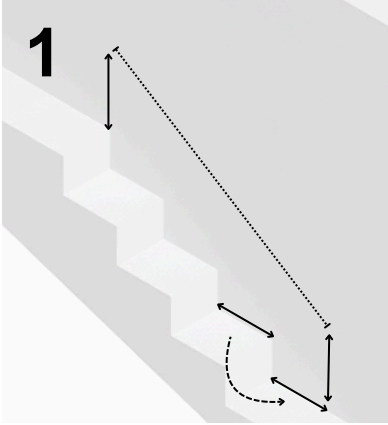
Ruban a Mesurer

Important information

It is the responsibility of the installer to meet all code and safety requirements, and to obtain all required building permits. The railing installer should determine and implement appropriate installation techniques for each installation situation. VISTA Railing Systems Inc, its distributors and dealers shall not be held liable for improper or unsafe installations. VISTA Railing Systems posts must always be secured to the sub structure and should never be attached to only the surface material (ie deck board). Failure to follow all of these instructions could result in serious injury or death.

Informations importantes

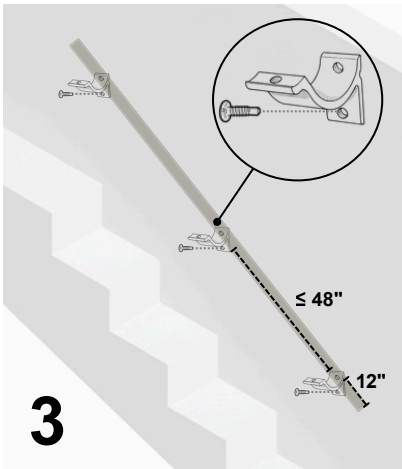
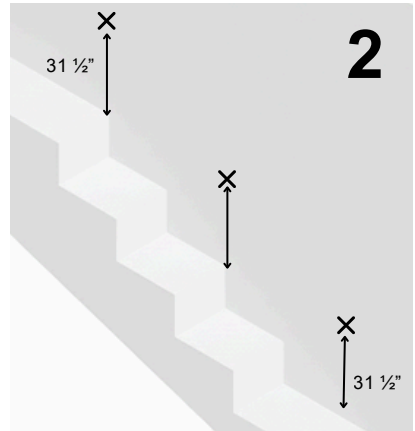
Il incombe à l'installateur de respecter toutes les exigences en matière de codes et de sécurité, ainsi que d'obtenir tous les permis de construction requis. L'installateur du garde-corps doit déterminer et appliquer les techniques d'installation appropriées pour chaque situation. VISTA Railing Systems Inc., ses distributeurs et ses détaillants ne peuvent être tenus responsables d'installations incorrectes ou dangereuses. Les poteaux VISTA Railing Systems doivent toujours être fixés à la sous-structure et ne doivent jamais être attachés uniquement au matériau de surface (par exemple, la planche de terrasse). Le non-respect de toutes ces instructions peut entraîner des blessures graves ou la mort.



Measure diagonally from the nose of the top step to the floor, including the tread depth of the bottom step, as shown.

This measurement determines the required pipe length for a straight handrail run.

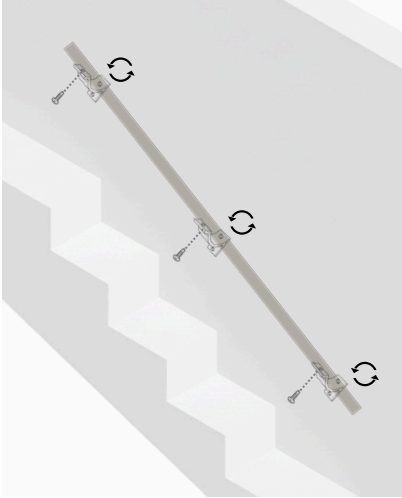
Measure vertically $31\frac{1}{2}$ " from several stair nosings and mark the wall. These marks indicate the height of the bottom screw hole for the handrail bracket.



Install the handrail brackets at the marked locations on the wall using one screw.

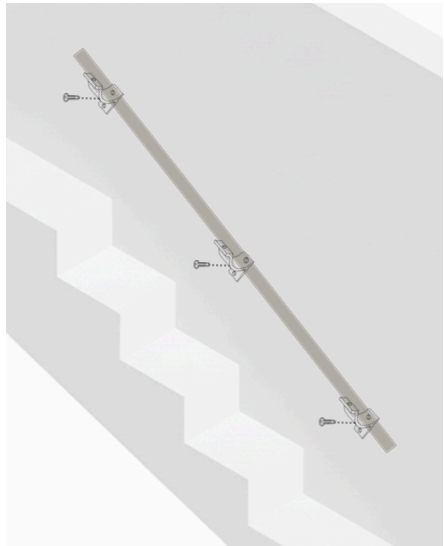
Handrail brackets must be installed within 12" of each end of the handrail and spaced no more than 48" apart.

4

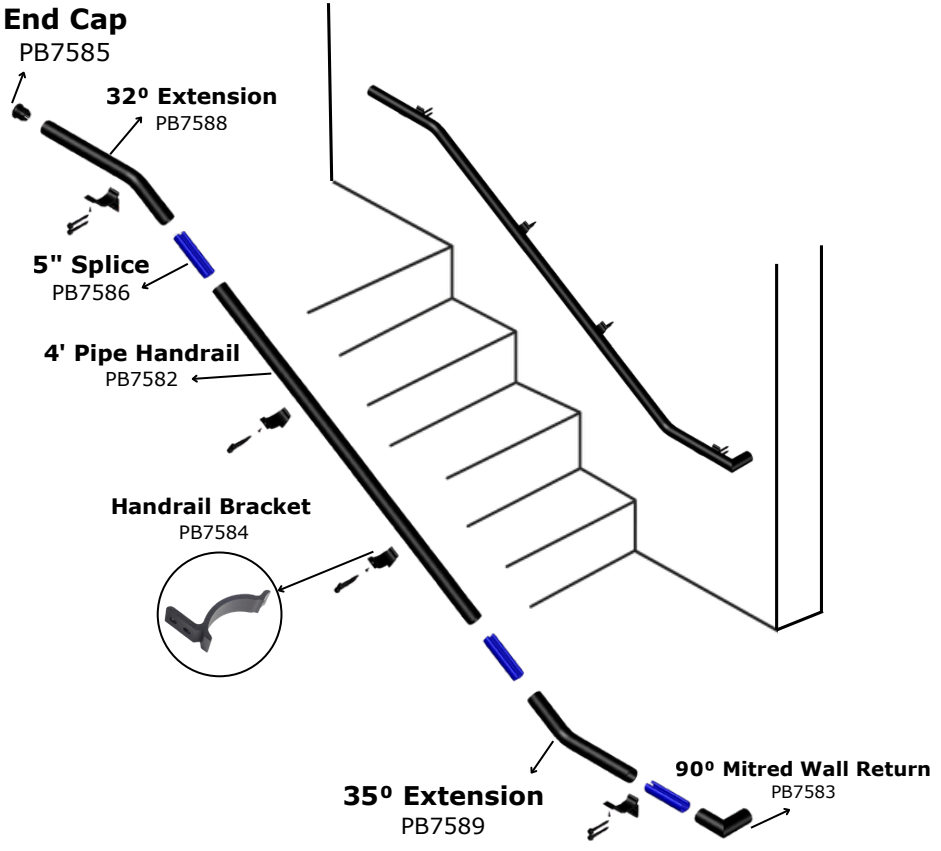


Rotate the handrail brackets to match the angle of the stairs and place the pre-cut handrail onto the brackets. Align the top of the handrail with the top stair nosing and seat it fully on the brackets.

5



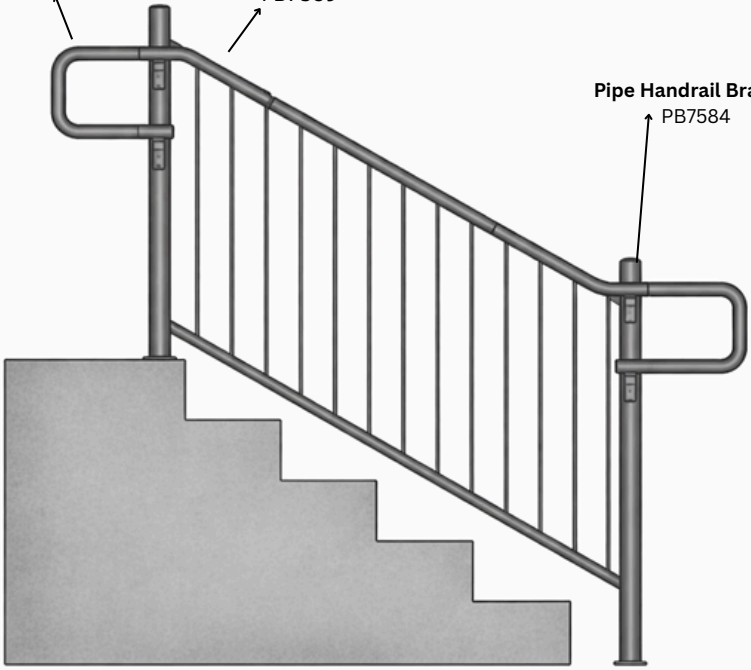
Secure the handrail to the upper and lower brackets, then install the remaining screws through the second hole of each bracket into the wall.



180° Extension
PB7591

35° Extension
PB7589

Pipe Handrail Bracket
PB7584



<p>1 1/2" x 4' Pipe Handrail Kit (hardware included)</p> <p>PB7582</p> 	<p>1 1/2" x 8' Pipe Handrail Kit (hardware included)</p> <p>PB7482</p> 	<p>Pipe Handrail Bracket</p> <p>PB7584</p> 	<p>Plastic Handrail Cap</p> <p>PB7585</p> 
<p>Pipe Handrail 6° Extension</p> <p>PB7587</p> 	<p>Pipe Handrail 32° Extension</p> <p>PB7588</p> 	<p>Pipe Handrail 35° Extension</p> <p>PB7589</p> 	<p>Pipe Handrail 90° Extension</p> <p>PB7590</p> 
<p>Pipe Handrail 180° Extension</p> <p>PB7591</p> 	<p>90° Mitred Wall Return Kit</p> <p>PB7583</p> 	<p>Inside 90° Post Bracket</p> <p>PB7592</p> 	<p>Splice 5"</p> <p>PB7586</p> 

Pipe Handrail 90° Extension

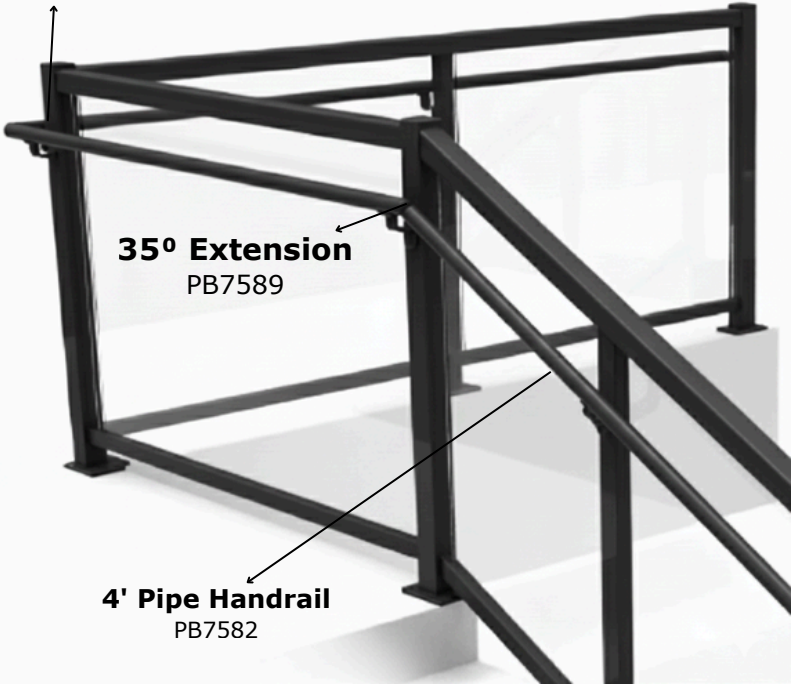
PB7590

35° Extension

PB7589

4' Pipe Handrail

PB7582



vista[▼]

