

/// OUTDURE® Aluminum Deck Framing
QWICKBUILD®

#1 CHOICE
FOR OUTDOOR
LIVING

vista 



Outdure's QwickBuild aluminum deck frame system is a versatile, moisture-proof, value-engineered, straight and level, structural solution designed for superior durability and efficient installation.

QwickBuild has extensive design options to maximize all decks, made simple by industry-leading design and price software.

Exclusive advantages

Modular
All surfaces
All heights
All substrates
All projects
Optimized

Easy to install components, configurable to suit all decks

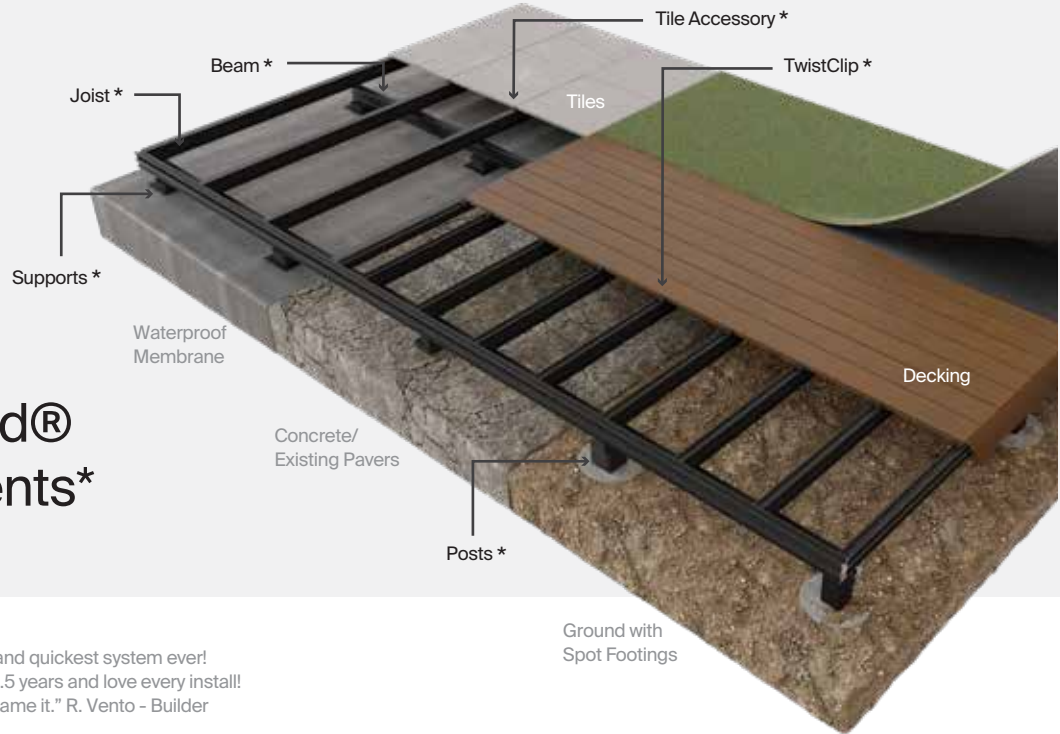
Supports leading composite brands, wood & tiles

A range of joist-beam profiles for ultra-low to elevated decks

Build your deck over concrete, pavers, waterproof membrane, natural ground

Ideal for all specifications from simple residential to complex commercial decks

Leading design and quantification tech for framing, supports and chosen deck surface



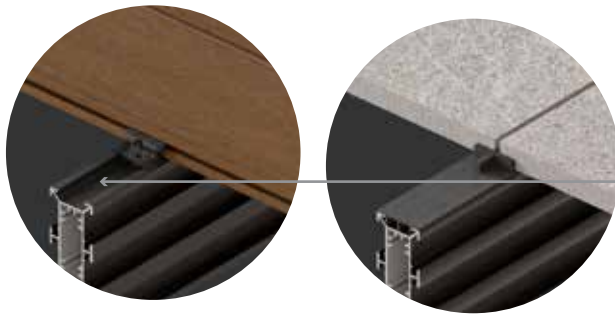
QwickBuild® Components*

"Can't beat Outdure!!!! Best and quickest system ever!
Been installing for the past 4.5 years and love every install!
Decking, grass or tiles, you name it." R. Vento - Builder

One system, for all surfaces

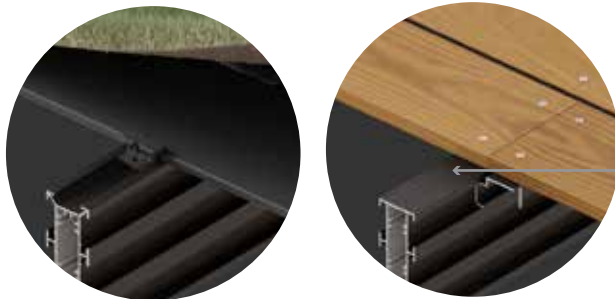
Channel edge of joist up for:

- Decking boards with a side groove to fit TwistClips
- Tiles stabilized with QwickBuild tile accessories
- Exterior tiles fixed with QwickBuild tile accessories

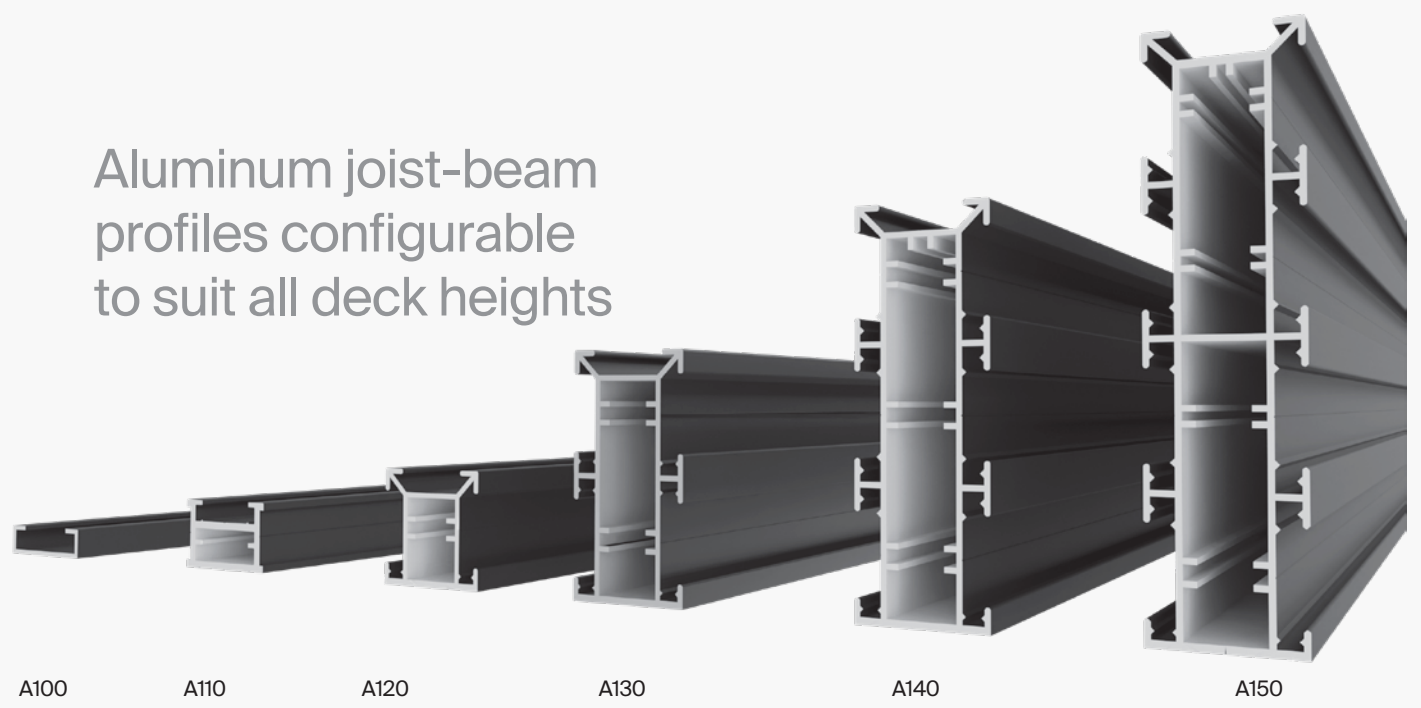


Flat edge of joist up for:

- Top fixing hardwood decking
- Composite decking fixed with screws



Aluminum joist-beam profiles configurable to suit all deck heights



General deck structure heights (top of substrate to the top of joist)

Low height:
4 -12 inches

Ultra low: 4 inches

Profiles: A100, A110, A120

Mid height:
1 - 4 foot

Profiles: A120, A130, A140

Elevated:
Over 4 foot

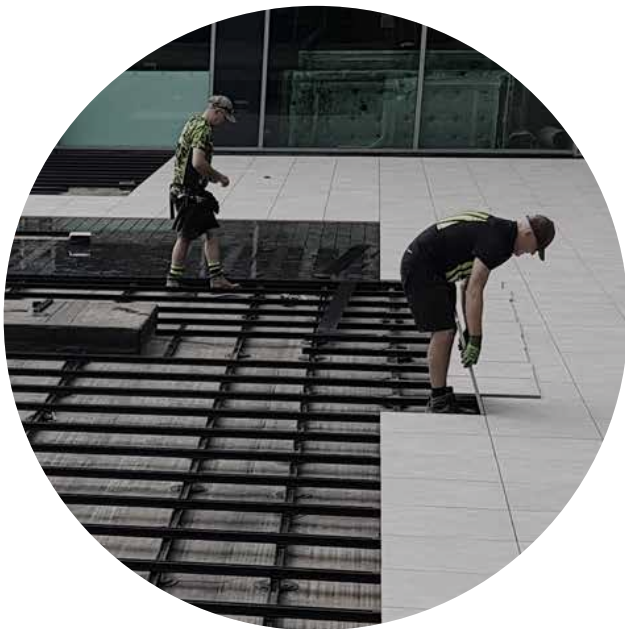
Profiles: A130, A140, A150



Add approximately 1 inch for the deck surface (Check exact dimensions with supplier).
Composite and tiles can be used for all deck heights. Hardwood for structures over 4 inches high.

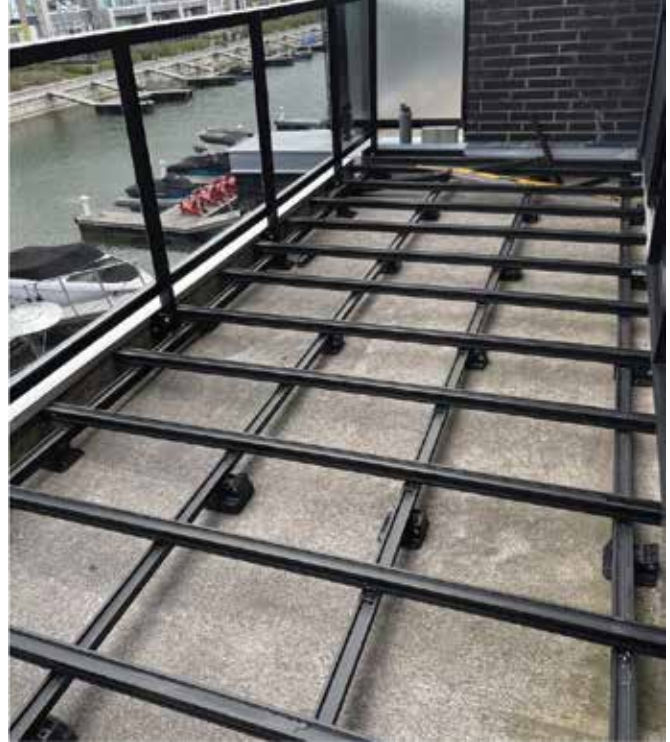


"I like how I can use the low profiles for decks over a waterproof membrane, the large profiles for my elevated decks, and then a combination for mid-height projects."
 Dr Decks, award-winning decking specialist



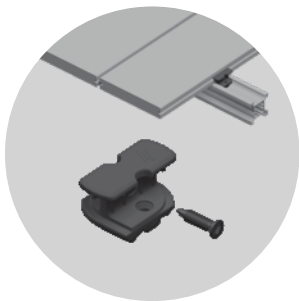
	QUICKBUILD ALUMINUM	TREATED WOOD	STEEL FRAMING	TILES ON PEDESTALS
Low height	✓	✗	✗	SOME
Mid height	✓	SOME*	✓	✗
Elevated	✓	SOME*	✓	✗
Multi-surface	✓	✗	✗	✗
Modular	✓	✗	SOME	✗
Straight and level	✓	✗	✓	✗
Fast, easy install	✓	✗	✗	SOME
Lightweight	✓	✗	✗	✓
Durable, easy-care	✓	✗	SOME	SOME
Rust proof	✓	✓	✗	✓
Rot-proof	✓	✗	✓	✓
Accurate quantification	✓	✗	✗	SOME
Technical support	✓	✗	SOME	SOME
Value-engineered	✓	✗	SOME	✗

*Added joist protection tape required



The solution for all types of deck projects

Ideal for simple residential renovations to complex commercial projects

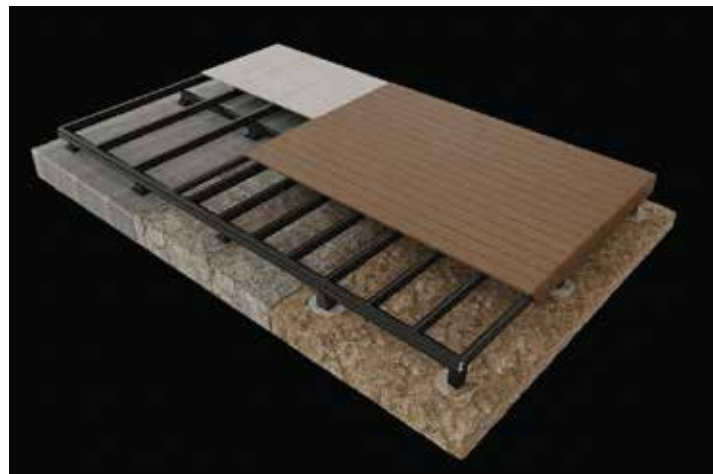


With unmatched low-height capabilities, QwickBuild can be used as a 'floating' system over waterproof membranes for projects such as rooftop decks, podium developments, balconies, and ground-level patios, through to an engineered structural solution for mid-level and elevated deck areas over various substrates.

The profiles have greater spans than traditional framing, resulting in fewer footings required for raised decks. QwickBuild is an engineered solution: up to 100 psf UDL and 1.0 kip PL with long-span, high-load capacity.

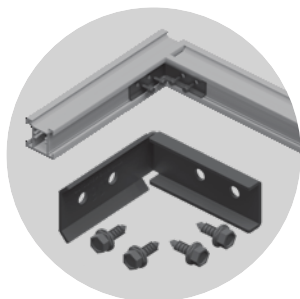
QwickBuild minimizes site preparation (digging, leveling, etc). It is a fast, cost-effective way to upgrade alfresco spaces by covering up old pavers or concrete pads with minimal site preparation.

Easily achieve level, stable, straight transitions between deck surfaces and interior spaces with no 'step-down' required - a safe solution for aged care facilities and education projects.



Innovation in every product & service detail

Simplifying the decking process



QwickBuild product innovations range from patented hidden fixings and brackets, designed for durability and fast, convenient installation, to redefining what a deck can be, enabling the ability to create elevated tile deck areas with QwickBuild.

QwickBuild's industry-leading deck planner software takes the guesswork out of your project by configuring the optimal solution for your project. Your customized project information pack includes:

- Shopping List: Itemized list of all required materials with pricing
- Design Plan: Clear, easy-to-follow layouts for your chosen deck surface
- Engineering: Height specific layouts for joists, beams, and supports
- Installation Guides: Step-by-step instructions & product information

With QwickBuild, decking projects are faster, smarter, and more efficient.



DeckPlanner®

Design and price your deck in minutes with our easy online tool



Your customized project pack includes:

- Easy-to-follow surface & structure layouts
- Value-engineered frame configurations
- Supports/posts calculated to span & height
- Itemized material lists for easy ordering

Joist-Beam Profiles



A100-20-58

Joist-Beam Profile

2 X 1/2" X 20'

Material: Aluminum 6063-T6 Powder Coated - Black



A110-20-58

Joist-Beam Profile

2 X 1" X 20'

Material: Aluminum 6063-T6 Powder Coated - Black



A120-20-58

Joist-Beam Profile

2 X 2" X 20'

Material: Aluminum 6063-T6 Powder Coated - Black



A130-20-58

Joist-Beam Profile

2 X 4" X 20'

Material: Aluminum 6063-T6 Powder Coated - Black

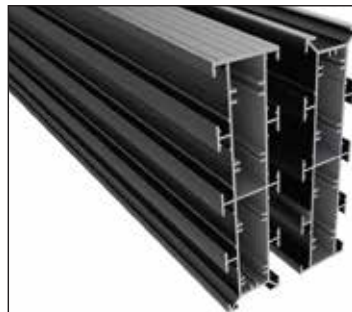


A140-20-58

Joist-Beam Profile

2 X 6" X 20'

Material: Aluminum 6063-T6 Powder Coated - Black



A150-20-58

Joist-Beam Profile

2 X 8" X 20'

Material: Aluminum 6063-T6 Powder Coated - Black

Post Profiles



A194-10-28

Post Profile

4 X 4" X 10'

Material: Aluminum
6063-T6 Powder Coated - Black



A195-20-58

Post Profile

6 X 6" X 20'

Material: Aluminum
6063-T6 Powder Coated - Black

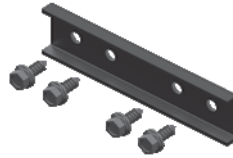
Brackets & Accessories



A201-10X
90° Bracket

A multi-purpose bracket for connecting profiles

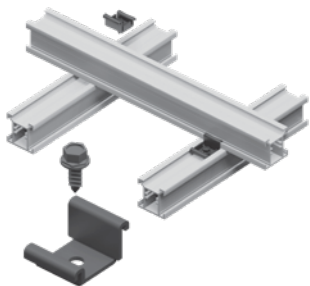
Material: SS304 Electrophoresis - Black
Included: A401-50X Screws



A202-10X
Joiner Bracket

A bracket for connecting profiles end-to-end

Material: SS304 Electrophoresis - Black
Included: A401-50X Screws



A203-25X
Joist Anchor Bracket

A bracket for connecting joists to beams

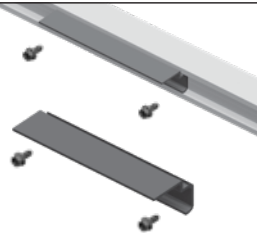
Material: SS304 Electrophoresis - Black
Included: A401-50X Screws



A205-20X
Double Joist Bracket

A bracket that creates a double joist to support board-ends when using TwistClips

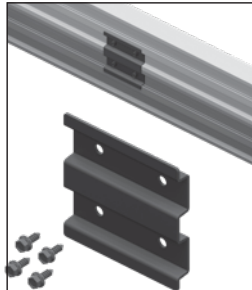
Material: Aluminum 6063-T6 Powder Coated - Black
Included: A401-50X Screws



A206-20X
Double Joist Bracket FLAT

A bracket that creates a double joist to support board-ends &/or for fixing trim under a rim joist

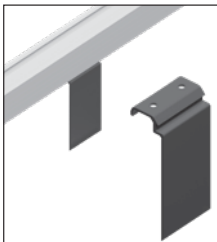
Material: Aluminum 6063-T6 Powder Coated - Black
Included: A401-50X Screws



A207-10X
Brace Plate Bracket

A bracket for connecting profiles top-to-bottom in parallel

Material: SS304 Electrophoresis - Black
Included: A401-50X Screws



A208-10X
Trim Bracket

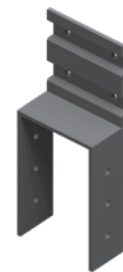
A bracket that supports a trim board

Material: Aluminum 6063-T6 Powder Coated - Black



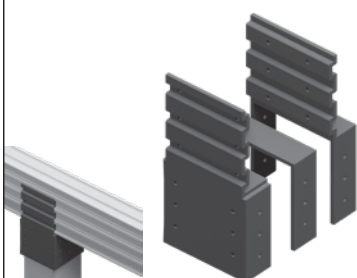
A210
Bracket A
For Beam to A194 Post
4 X 4"

Material: Aluminum 6063-T6 Powder Coated - Black



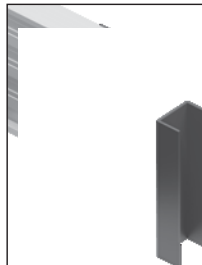
A211
Bracket B
For Beam to A194 Post
4 X 4"

Material: Aluminum 6063-T6 Powder Coated - Black



A212
Bracket Kit
For Beam to A195 Post
6 X 6"

Material: Aluminum 6063-T6 Powder Coated - Black

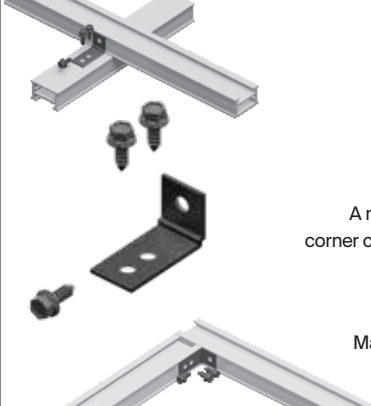


A220-2X
Beam End Cap

Finishing over open-ends of beams

Material: Aluminum 6063-T6 Powder Coated - Black

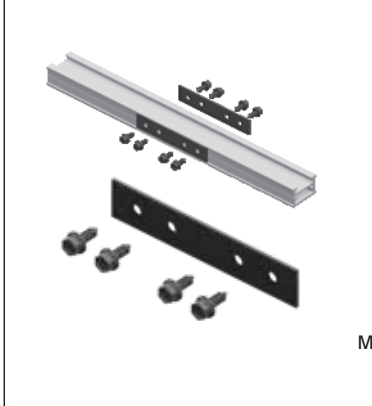
Brackets & Accessories



A301-10X
90° Bracket &
Joist Anchor for A110

A multi-purpose bracket for A110 profiles corner connections & joist-beam connections


Material: SS304 Electrophoresis - Black
Included: A401-50X Screws



A302-10X
Joiner Bracket for A110

A bracket for connecting A110 profiles end-to-end

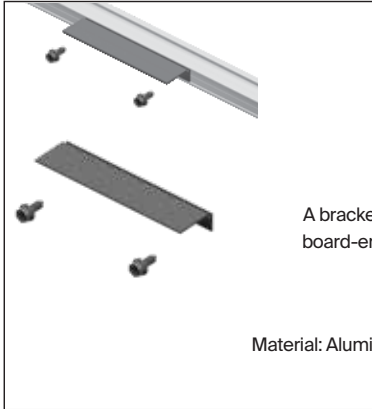
Material: SS304 Electrophoresis - Black
Included: A401-50X Screws



A306-20X
Double Joist Bracket for A110

A bracket that creates a double joist to support board-ends when using TwistClips

Material: Aluminium 6063-T6 Powder Coated - Black
Included: A401-50X Screws



A307-20X
Double Joist Bracket
FLAT for A110

A bracket that creates a double joist to support board-ends &/or for fixing trim under a rim joist


Material: Aluminium 6063-T6 Powder Coated - Black
Included: A401-50X Screws



Fasteners

A401-50X
Self-drilling screw 5/8"


Included with most components



Length: 5/8", Head: Hex, Driver: 3/8"
Material: SS304 Electrophoresis - Black

A402-50X
Self-drilling screw 1 1/4"


With a coarse thread for wood



Length: 1 1/4", Head: Hex, Driver: 3/8"
Material: SS304 Electrophoresis - Black

A403-50X
Type 17 screw 2 1/2"


With a coarse thread for wood



Length: 2 1/2", Head: Hex, Driver: 3/8"
Material: SS304 Electrophoresis - Black

A404-50X
Type 17 screw 5"


With a coarse thread primarily for solid blocking (railing)



Length: 5", Head: Hex, Driver: 3/8"
Included: Washer. Material: SS304 Electrophoresis - Black

A409-50X
Self-drilling screw 3/4"


For securing A510-A580 TwistClips in channel
&/or in to control board expansion/contraction



Length: 3/4", Head: CSK, Driver: Torx 15
Material: SS304 Electrophoresis - Black

A410-10X
M12 Bolt 1/2 X 4"


For QwickBuild connections,
typically bearer to post



Length: 4", Thread Diameter: 1/2", Head: Hex
Material: SS304. Included: 1X Locking Nut, 2X Washers


A411-10X
M12 Bolt 1/2 X 6"

For QwickBuild connections, typically bearer to post



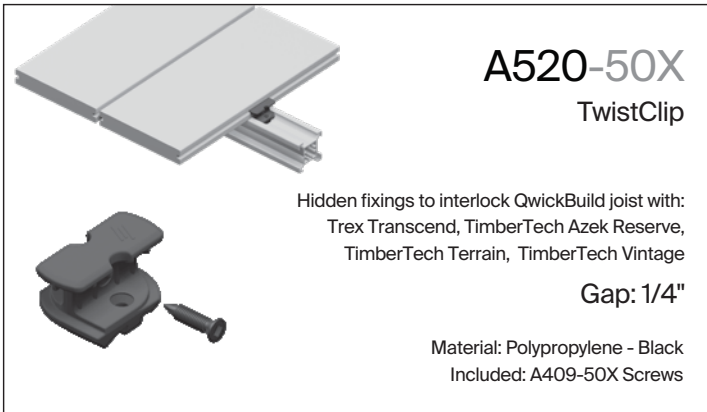
Length: 6", Thread Diameter: 1/2", Head: Hex
Material: SS304. Included: 1X Locking Nut, 2X Washers

A420
Driver Pack



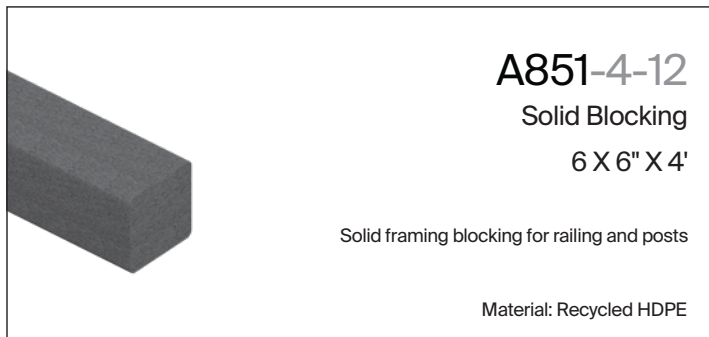
Hex 3/8" Length: 3"
Hex 3/8" Length: 2"
Torx 20 - 2x
Torx 15 - 2x

Clips for Composite Deck Boards

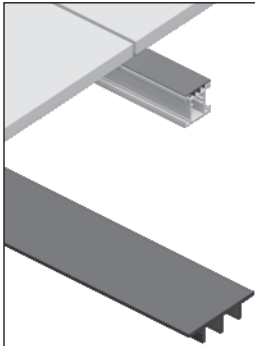


Please test to ensure effective fit & function of TwistClips. Outdure can not take responsibility for any variances in board dimensions manufactured by other brands. Refer to Outdure's online QwickBuild catalog for updates.

Solid Blocking

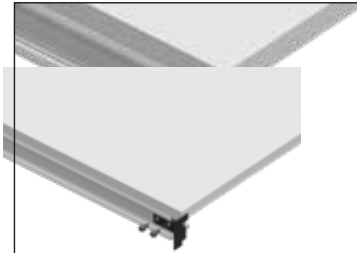


Tile Fixings & Components



A701
Tile Rubber Bead
40"
Seats into top of QwickBuild joist to isolate noise & friction

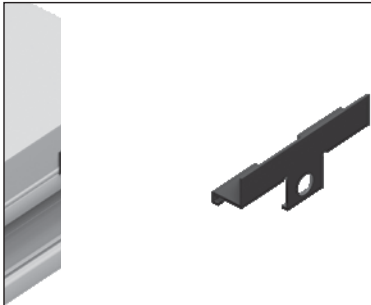
Material: EPDM Rubber



A702-25X
Tile Retainer Bracket

Retains perimeter tiles
Install retainer brackets at ends of joists that are perpendicular to edge of deck

Material: SS304 Electrophoresis - Black
Included: A401-50X Screws



A703-25X
Tile Retainer Snap Clip

Retains perimeter tiles
Install snap clips along the edge of perimeter joists

Material: SS304 Electrophoresis - Black

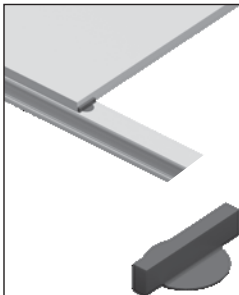


A710-25X
Tile Spacer Cross

To evenly space tiles installed on QwickBuild deck framing system

Gap: 1/4"

Material: Polypropylene - Black

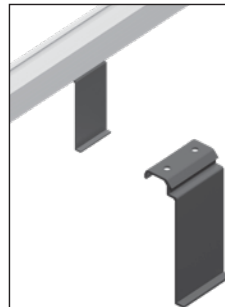


A711-25X
Tile Spacer Straight

For straight spaces between tiles installed on QwickBuild deck framing system

Gap: 1/4"

Material: Polypropylene - Black



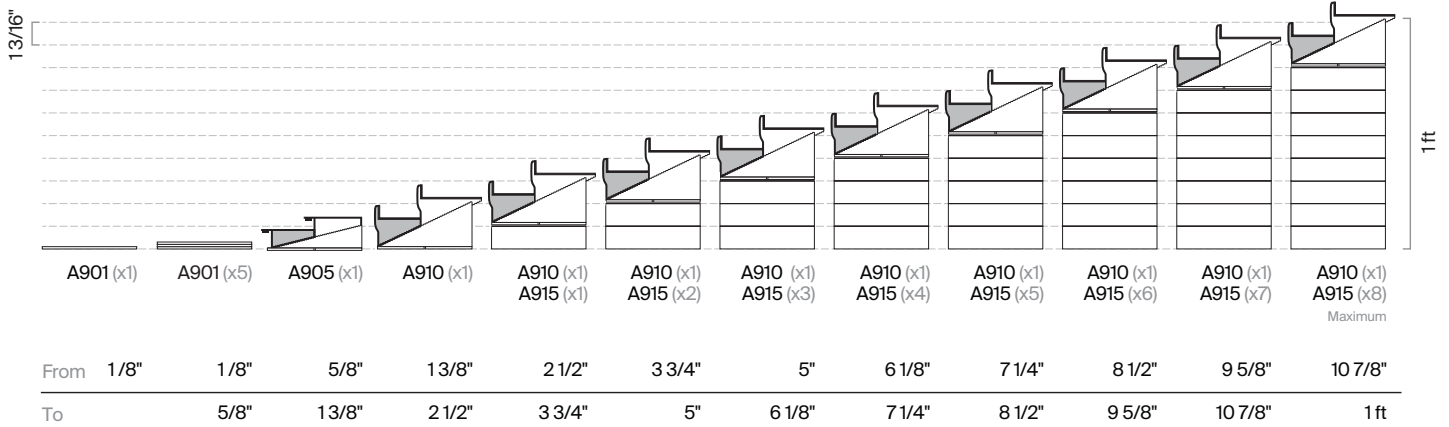
A712-10X
Tile Trim Bracket

A bracket that supports a tile as trim

Material: Aluminum 6063-T6 Powder Coated - Black

Supports & Pedestals

Support Height Combinations (Stackable)




A901-20X
Deck Support Packer

Height:
1/8"

Stackable: 5X maximum
Material: Rubber



A905-10X
Deck Support Adjustable

Height-adjustable range:
5/8 - 1 3/8"

Material: Polypropylene - Black
Included: Protection Pad



A910-10X
Deck Support Adjustable

Height-adjustable range:
1 3/8 - 2 1/2"

Stack A915 under A910: 8X maximum
Material: Polypropylene - Black. Included: Protection Pad



A915-10X
Deck Support Extender

Height:
1 3/16"

Stack A915 under A910: 8X maximum
Material: Polypropylene - Black



A920-10X
Deck Support Slope Corrector - Up to 7%

Height:
3/8"

Optional item - Stacks under A910
Material: Polypropylene - Black



A925-10X
Deck Support Protection Pad - Acoustic

Height:
3/8"

Optional item - Stacks under A910
Material: Polypropylene - Black



vista 
/// OUTDURE®

Printed in Canada
AD95000DPCCA-V3