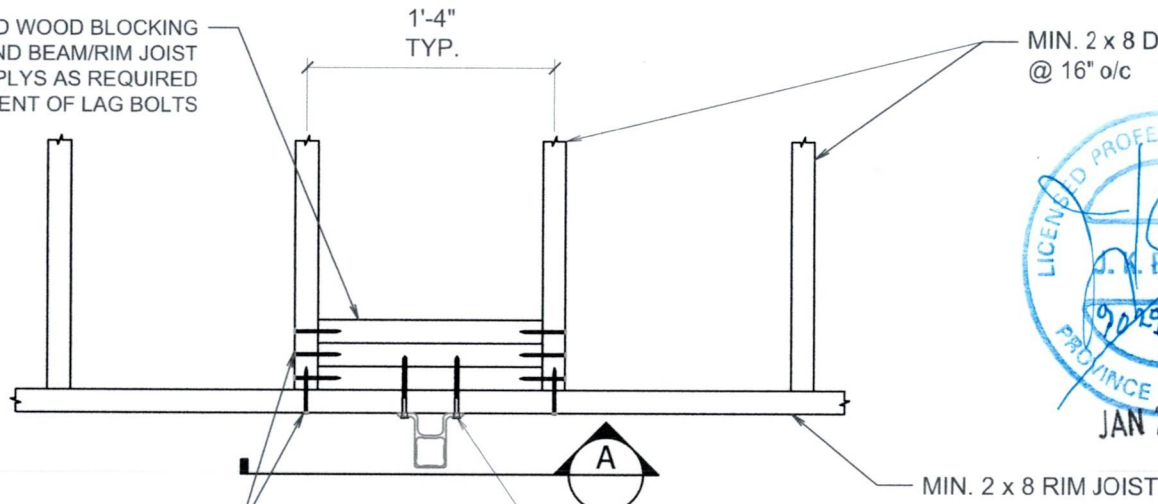


VISTA ALUMINUM POST FASCIA (SIDE) MOUNT RECOMMENDED BLOCKING DETAILS (DECK JOISTS PERPENDICULAR TO RIM JOIST)

MIN. 3-PLY 2 x 8 OR SOLID WOOD BLOCKING
BEHIND BEAM/RIM JOIST
PROVE ADDITIONAL PLYS AS REQUIRED
TO ACHIEVE FULL EMBEDMENT OF LAG BOLTS

1'-4"
TYP.

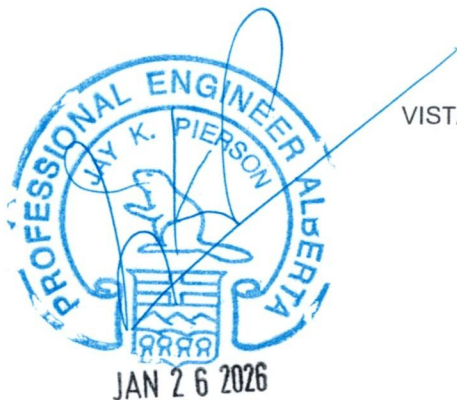
MIN. 2 x 8 DECK JOISTS
@ 16" o/c



(3) 3" COMMON GALVANIZED NAILS
TO EACH BLOCKING OR JOIST

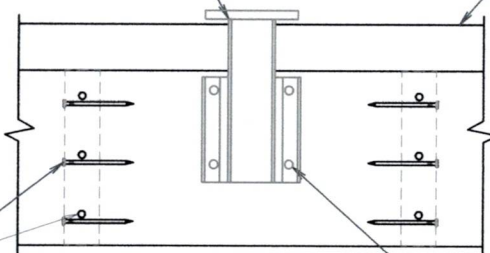
PLAN

4 LAG BOLTS
AS SPECIFIED IN
VISTA RECOMMENDED
MOUNTING AND FASTENING GUIDE



VISTA ALUMINUM POST BRACKET

DECK SURFACE



(3) 3" COMMON GALVANIZED NAILS
TO EACH BLOCKING OR JOIST

VIEW A

(4) LAG BOLTS
AS SPECIFIED IN
VISTA RECOMMENDED
MOUNTING AND FASTENING GUIDE

GENERAL NOTES

GUARDRAIL POST CONNECTION AS DESCRIBED IN THESE DRAWINGS HAS BEEN DESIGNED IN SUBSTANTIAL COMPLIANCE WITH THE NBC 2025, OBC 2024, AND BCBC 2024.

DECK AND SUPPORTING STRUCTURE IS THE RESPONSIBILITY OF OTHERS

RAILING DESIGN IS EXCLUDED IN THIS SCOPE OF WORK

PERFORM ALL WORK IN ACCORDANCE WITH THE REQUIREMENTS OF THE AUTHORITY HAVING JURISDICTION

WOOD BLOCKING : D.Fir-L or SPF No.1/No.2 OR BETTER

Manufactured by...

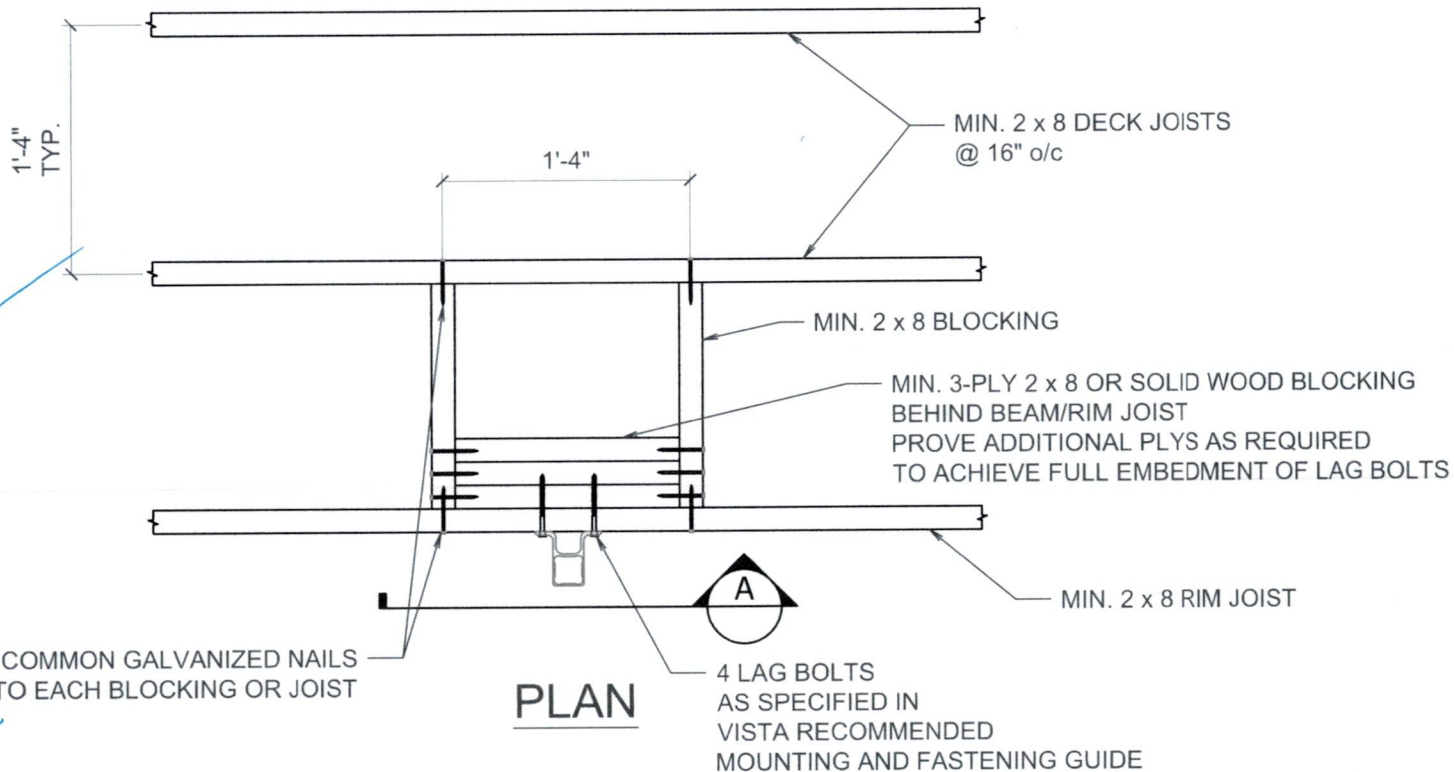
23282 River Road, Maple Ridge, BC, Canada, V2W 1B6
Phone: 604-467-5147 info@vistarailings.com
Fax: 604-467-1197 www.vistaprorailings.com

PROJECT: VISTA ALUMINUM POST MOUNT RECOMMENDED BLOCKING DETAILS CLIENT: VISTA	LOCATION: #####
---	--------------------

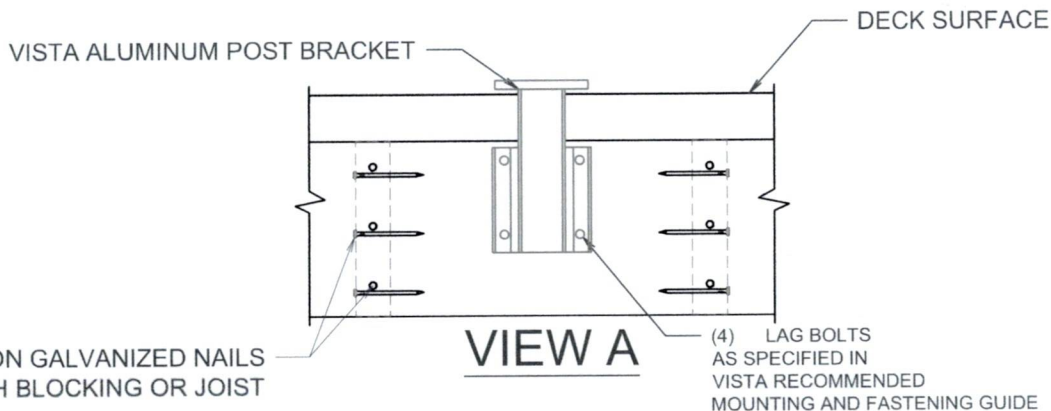
VISTA ALUMINUM GUARDRAILS	
DRAWN NS	PROJECT No N/A
DATE January 26, 2026	REVISION # 0
SCALE NTS	CHECKED JKP

DRAWING TITLE: VISTA ALUMINUM POST FASCIA (SIDE) MOUNT RECOMMENDED BLOCKING DETAILS	
DRAWING # 01	PG. NO. 01

VISTA ALUMINUM POST FASCIA (SIDE) MOUNT
RECOMMENDED BLOCKING DETAILS
(DECK JOISTS PARALLEL TO RIM JOIST)



PLAN



VIEW A

GENERAL NOTES

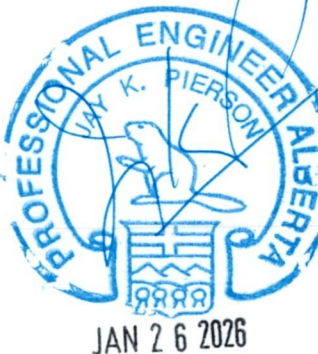
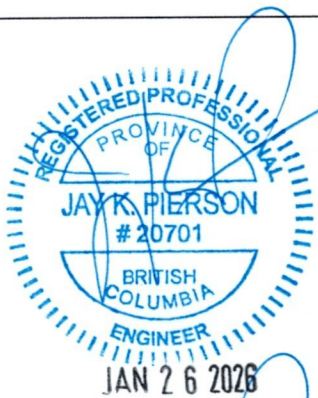
GUARDRAIL POST CONNECTION AS DESCRIBED IN THESE DRAWINGS HAS BEEN DESIGNED IN SUBSTANTIAL COMPLIANCE WITH THE NBC 2025, OBC 2024, AND BCBC 2024.

DECK AND SUPPORTING STRUCTURE IS THE RESPONSIBILITY OF OTHERS

RAILING DESIGN IS EXCLUDED IN THIS SCOPE OF WORK

PERFORM ALL WORK IN ACCORDANCE WITH THE REQUIREMENTS OF THE AUTHORITY HAVING JURISDICTION

WOOD BLOCKING : D.Fir-L or SPF No.1/No.2 OR BETTER



Manufactured by...
vista
23282 River Road, Maple Ridge, BC, Canada, V2W 1B6
Phone: 604-467-5147 info@vistarailings.com
Fax: 604-467-1197 www.vistaprorailings.com

PROJECT:
VISTA ALUMINUM POST MOUNT
RECOMMENDED BLOCKING DETAILS
CLIENT:
VISTA

LOCATION:
#####

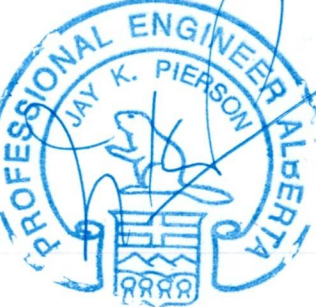
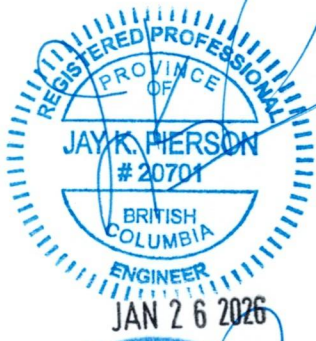
VISTA ALUMINUM GUARDRAILS

DRAWN NS	PROJECT No N/A
DATE January 26, 2026	REVISION # 0
SCALE NTS	CHECKED JKP

DRAWING TITLE:
VISTA ALUMINUM POST FASCIA (SIDE) MOUNT
RECOMMENDED BLOCKING DETAILS

DRAWING # 01	PG. NO. 02
-----------------	---------------

VISTA ALUMINUM POST TOP MOUNT RECOMMENDED BLOCKING DETAILS (DECK JOISTS PERPENDICULAR TO RIM JOIST)



MIN. 3-PLY 2 x 8 OR SOLID WOOD BLOCKING
UNDER POST
PROVIDE ADDITIONAL PLYS AS REQUIRED
TO ACHIEVE FULL EMBEDMENT OF LAG BOLTS

1'-4"
TYP.

MIN. 2 x 8 DECK JOISTS
@ 16" o/c

GENERAL NOTES

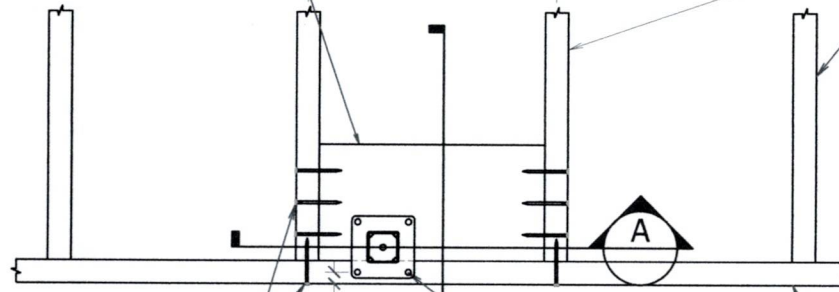
GUARDRAIL POST CONNECTION AS DESCRIBED IN THESE DRAWINGS HAS BEEN DESIGNED IN SUBSTANTIAL COMPLIANCE WITH THE NBC 2025, OBC 2024, AND BCBC 2024.

DECK AND SUPPORTING STRUCTURE IS THE RESPONSIBILITY OF OTHERS

RAILING DESIGN IS EXCLUDED IN THIS SCOPE OF WORK

PERFORM ALL WORK IN ACCORDANCE WITH THE REQUIREMENTS OF THE AUTHORITY HAVING JURISDICTION

WOOD BLOCKING : D.Fir-L or SPF No.1/No.2 OR BETTER



(3) 3" COMMON GALVANIZED
NAILS TO EACH BLOCKING OR JOIST

4 LAG BOLTS
AS SPECIFIED IN
VISTA RECOMMENDED
MOUNTING AND
FASTENING GUIDE

MIN. 2 x 8 RIM JOIST

PLAN

VISTA ALUMINUM POST

4 LAG BOLTS
AS SPECIFIED IN
VISTA RECOMMENDED MOUNTING
AND FASTENING GUIDE

DECK SURFACE

EDGE OF DECK

3/4"

4 LAG BOLTS
AS SPECIFIED IN
VISTA RECOMMENDED MOUNTING
AND FASTENING GUIDE

(3) 3" COMMON GALV NAILS
TO EACH BLOCKING
@ 3" o/c MAX.

DECK SURFACE

RIM JOIST

MIN. 2 x 8
DECK JOISTS @ 16" o/c

(3) 3" COMMON GALVANIZED NAILS
TO EACH BLOCKING
@ 3" o/c MAX.

MIN. 3-PLY 2 x 8 OR SOLID WOOD BLOCKING
UNDER POST
PROVIDE ADDITIONAL PLYS AS REQUIRED
TO ACHIEVE FULL EMBEDMENT OF LAG BOLTS

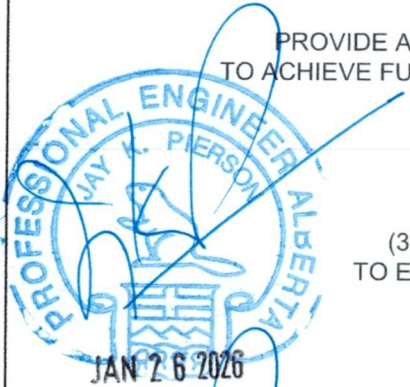
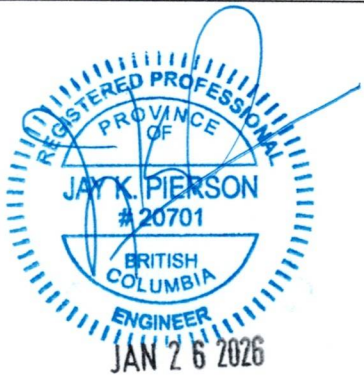
SECTION A

SECTION B



Manufactured by... 23282 River Road, Maple Ridge, BC, Canada, V2W 1B6 Phone: 604-467-5147 info@vistarailings.com Fax: 604-467-1197 www.vistaprorailings.com	PROJECT: VISTA ALUMINUM POST MOUNT RECOMMENDED BLOCKING DETAILS CLIENT: VISTA	LOCATION: #####	VISTA ALUMINUM GUARDRAILS		DRAWING TITLE: VISTA ALUMINUM POST TOP MOUNT RECOMMENDED BLOCKING DETAILS
			DRAWN NS PROJECT No N/A		
			DATE January 26, 2026 REVISION # 0		
			SCALE NTS CHECKED JKP		
			DRAWING # 01	PG. NO. 03	

VISTA ALUMINUM POST TOP MOUNT RECOMMENDED BLOCKING DETAILS (DECK JOISTS PARALLEL TO RIM JOIST)



GENERAL NOTES

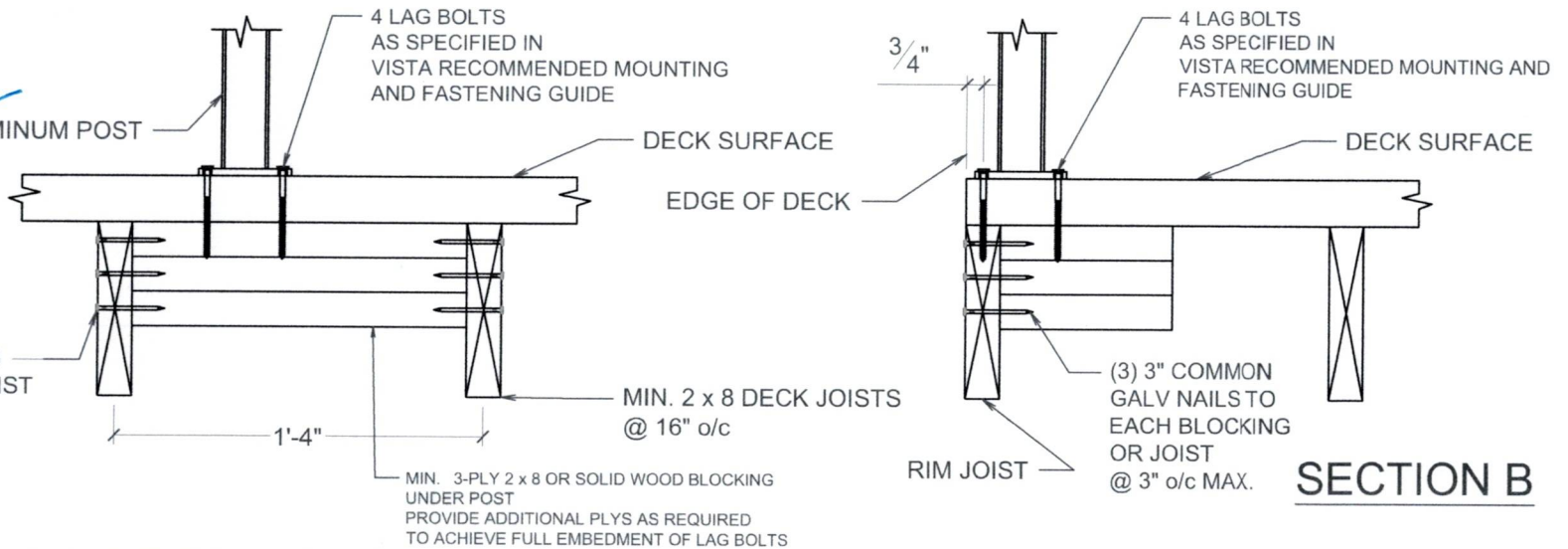
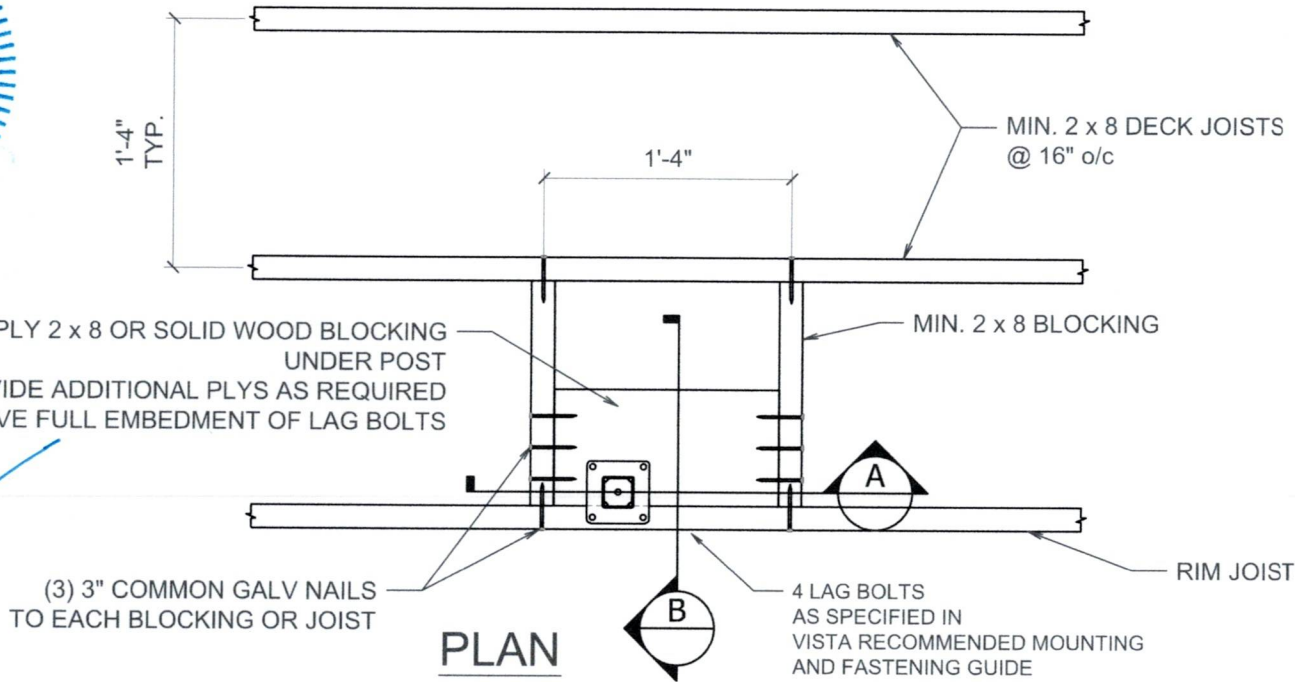
GUARDRAIL POST CONNECTION AS DESCRIBED IN THESE DRAWINGS HAS BEEN DESIGNED IN SUBSTANTIAL COMPLIANCE WITH THE NBC 2025, OBC 2024, AND BCBC 2024.

DECK AND SUPPORTING STRUCTURE IS THE RESPONSIBILITY OF OTHERS

RAILING DESIGN IS EXCLUDED IN THIS SCOPE OF WORK

PERFORM ALL WORK IN ACCORDANCE WITH THE REQUIREMENTS OF THE AUTHORITY HAVING JURISDICTION

WOOD BLOCKING : D.Fir-L or SPF No.1/No.2 OR BETTER



Manufactured by... 23282 River Road, Maple Ridge, BC, Canada, V2W 1B6 Phone: 604-467-5147 info@vistarailings.com Fax: 604-467-1197 www.vistaprorailings.com	PROJECT: VISTA ALUMINUM POST MOUNT RECOMMENDED BLOCKING DETAILS CLIENT: VISTA	LOCATION: #####	VISTA ALUMINUM GUARDRAILS		DRAWING TITLE: VISTA ALUMINUM POST TOP MOUNT RECOMMENDED BLOCKING DETAILS
			DRAWN NS PROJECT No N/A		
			DATE January 26, 2026 REVISION # 0		
			SCALE NTS CHECKED JKP		
			DRAWING # 01	PG. NO. 04	