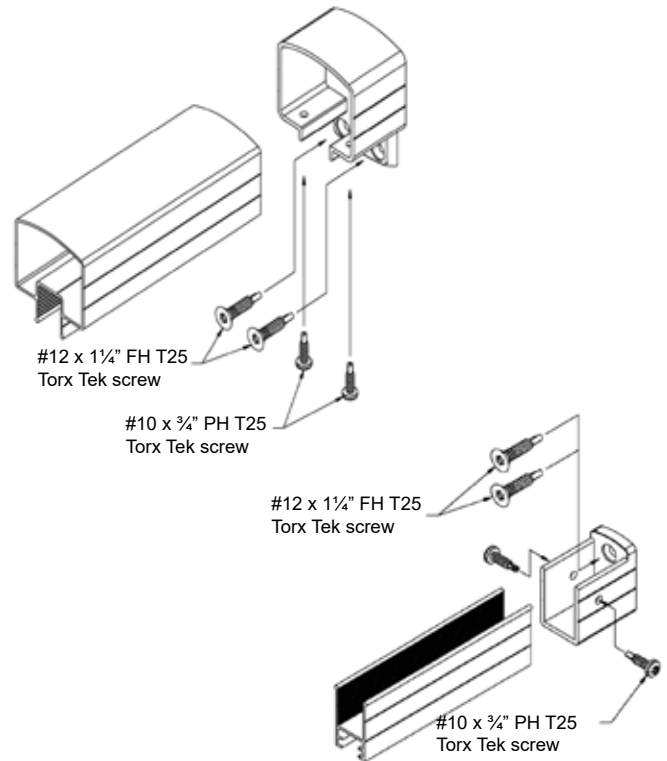


READ ALL INSTRUCTIONS COMPLETELY BEFORE STARTING INSTALLATION: It is the responsibility of the installer to meet all code and safety requirements, and to obtain all required building permits. The railing installer should determine and implement appropriate installation techniques for each installation situation. VISTA Railing Systems Inc, its distributors and dealers shall not be held liable for improper or unsafe installations. VISTA Railing Systems posts must always be secured to the sub structure and should never be attached to only the surface material (i.e. deck board). Failure to follow all of these instructions could result in serious injury or death.

Brackets can be used to attach VISTA top and bottom rails to an existing wall or an existing post.

INSTRUCTIONS :

- Place the bottom bracket, measure up 2¼" from deck surface to the bottom of bracket.
- Take a marker and mark the wall/post where the bracket screws will be placed.
- Attach bottom bracket to the wall/post with #12 x 1¼" FH T25 Torx Tek screw.
- To locate the top bracket placement, measure up 34" (for 36" height railings) or 40" (for 42" height railings) from deck to the bottom of the top bracket.
- Attach top bracket to the wall loosely with #12 x 1½" FH T25 Torx Tek screw.
- Measure rails and cut.
Place bottom rail in first, then top rail.
- Tighten top bracket screws securely.
- Use the #10 x ¾" T25 Torx Tek screws to secure the top and bottom rails into place.



FOR WOOD SURFACES:

- Follow the above instructions but change out the #12 x 1¼" FH Torx Tek screws with #12 x 2½" FH Torx Wood screws.

REQUIRED TOOLS:

- Handsaw 10" Miter Saw with thin (Kerf)
- Torx T25 Screwdriver or drill bit
- Measuring Tape

PH = Pan Head, FH = Flat Head

