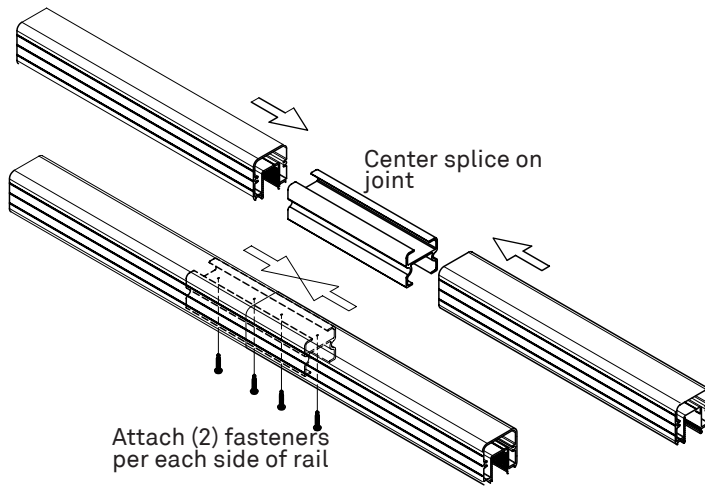
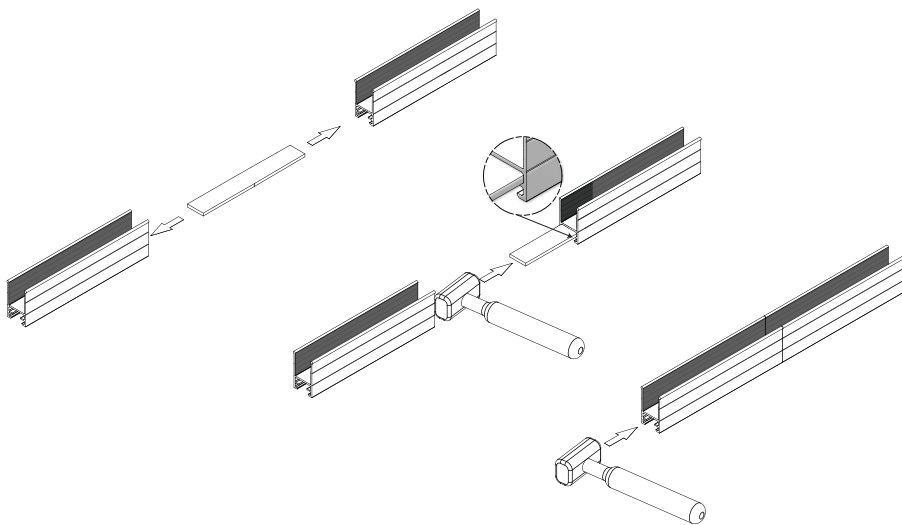
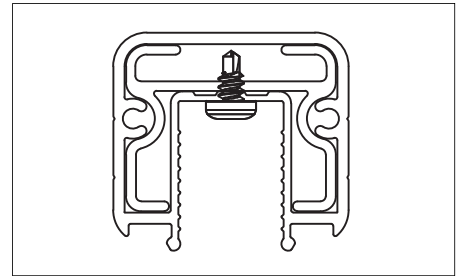


READ ALL INSTRUCTIONS COMPLETELY BEFORE STARTING INSTALLATION:

It is the responsibility of the installer to meet all code and safety requirements, and to obtain all required building permits. The railing installer should determine and implement appropriate installation techniques for each installation situation. VISTA Railing Systems Inc, its distributors and dealers shall not be held liable for improper or unsafe installations. VISTA Railing Systems posts must always be secured to the sub structure and should never be attached to only the surface material (i.e. deck board). Failure to follow all of these instructions could result in serious injury or death.



Enlarged View Top Rail Fastener Location



Enlarged View Bottom Rail

