

vista



style &
simplicity

Traditional Railing Kit System



Traditional Railing Kit System

- ✔ **All-In-One Kit**
Everything you need between the posts!
- ✔ **Ease of Installation**
Factory precision pre-drilled rails speed up and simplify installation.
- ✔ **Cost Effective**
Installs in half the time of alternative component systems saving time, money and frustration.
- ✔ **Low Maintenance**
Powder-coated balusters that never require painting or staining and never rot, twist or split.
- ✔ **Safety Assured**
Tested in accordance with national building codes.

Vista Railing Systems Inc.
www.vistarailings.com or 800-667-8247

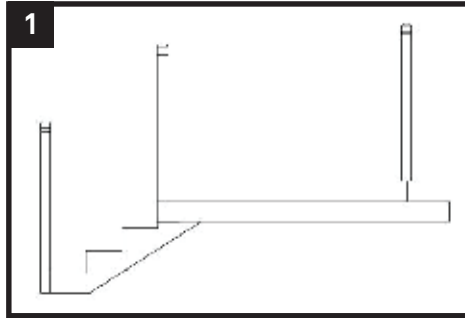


vista

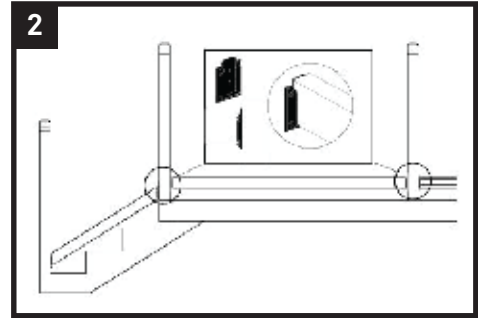
style &
simplicity

Traditional Railing Kit System

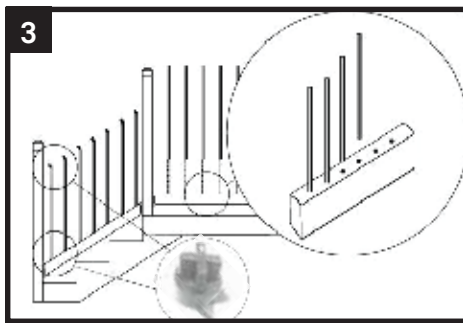
Traditional Railing Kit System



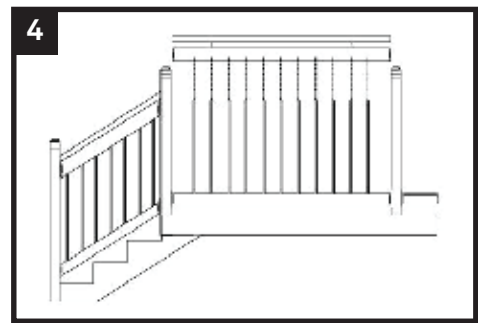
1
Set newel posts (sold separately) to accommodate pre-drilled rail length. Center pre-drilled rail between newel posts and trim equal amounts from each end of top and bottom rails.



2
Slide rail hanger bracket over the end of the rail and attach with screws through end of rail. (Hint: Opening of bracket must always be up)



3
With a high-quality polyurethane construction adhesive, fill all the holes half way. Insert balusters into pre-drilled holes in rail. This will bond the wood to the balusters. Best to use 26" baluster option for stairs.



4
Apply pre-drilled top rail. Attach cap rail. Fasten railing section to post with rail hanger brackets.

EVERYTHING YOU NEED BETWEEN THE POSTS!

- ✔ 2 profiled & factory pre-drilled rails
- ✔ 1 profiled cap rail
- ✔ 2 pairs of rail hanger brackets with fasteners
- ✔ Powder-coated balusters (round/straight)

| 6ft x 36" | 6ft x 42" | 8ft x 36" & 42" | |
|--|--|--|---|
| | | | |
| 6ft X 36" 3 rail Brown Treated - CRBTR6B26M 6ft X 36" 3 rail Premium Western Red Cedar - CRWRC6B26M | 6ft X 42" 3 Rail Brown Treated - CRBTR6B32M 6ft X 42" 3 Rail Premium Western Red Cedar - CRWRC6B32M | 8ft X 36" 3 Rail Brown Treated - CRBTR8B26M 8ft X 42" 3 Rail Brown Treated - CRBTR8B32M | Stair Angle Adapters Black (15 pack) AL9400B00W |
| | | | |
| | | | Rail Hanger Bracket (Pack of 2 with fasteners) HW9509600W |



WRC: CE9106054W
BT: BT9106054U

Note: Contact your local building department prior to installation. Available in Premium Western Red Cedar (WRC) and Brown Treated (BT). Level Kits can be converted by using the stair rail adapters that change baluster to rail connection to an exterior stair angle. Posts also available for purchase in Premium Western Red Cedar (WRC) and Brown Treated (BT) (posts not included in kit). Available in 36" and 42" railing height.