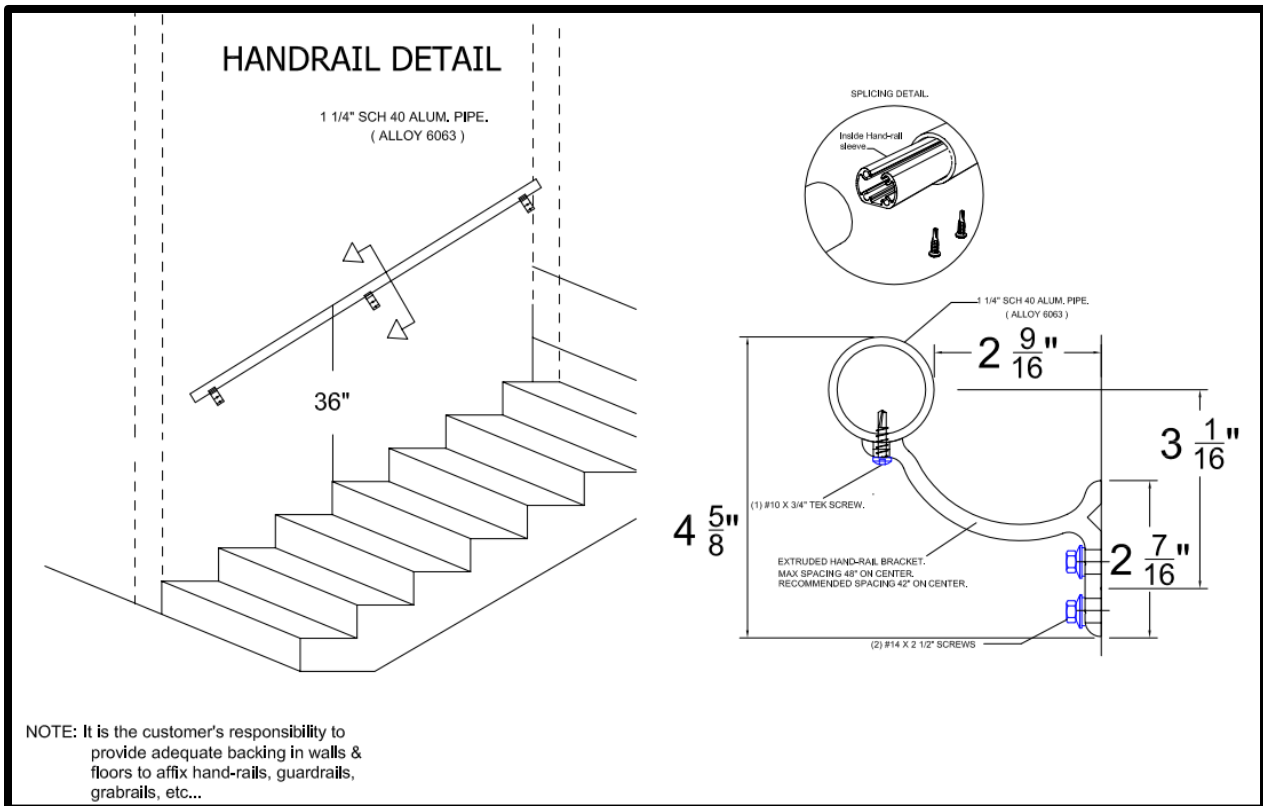
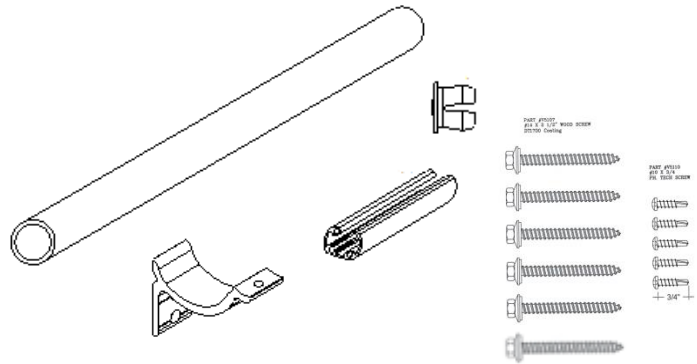


Handrail Package (PB7482) Includes:

- Qty 1 - 8ft Round Handrail
- Qty 1 – Fastener Package (PB7492)
- Qty 2 – Plastic end plugs
- Qty 1 – 6” Splice
- Qty 3 – Offset brackets



Steps for Installation:

1. Measure and mark wall as handrail should be 36" from top of stair
2. Install brackets using 2 1/2" lags in the fastener package – spacing brackets 42" apart
3. Mark the location for the pilot hole drill and fasten with the #10 3/4" Tech Screw
4. If you require longer than 8ft – use 2 packages and join using the 6" splice. Fasten #10 3/4" Tech screw on each side of splice join line

NOTE: if attaching the handrail package to a post – you will need to purchase separate fastener packs – Qty 2 PB7414 (post bracket) – this will contain #14 – x 1" Screws (Qty 5)