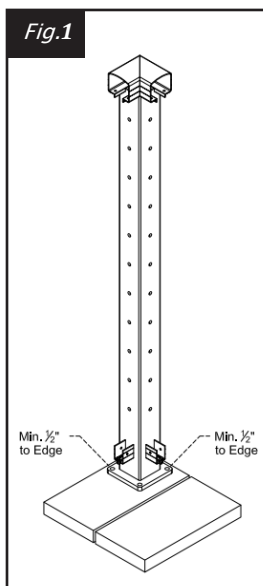


## STEP 1 POST ATTACHMENT

Locate posts as required with the bottom plate 1/2" from the edge of the deck (a greater distance from edge may be required on some decks so that post anchoring screws can be attached to solid wood under deck surface). Refer to residential deck railing design guide for minimum requirements of post fasteners.

For post spacing and further information, please consult your authorized Vista™ Dealer or refer to the Vista™ residential deck railing design guide at [www.vistarailings.com](http://www.vistarailings.com)



**Failure to follow these instructions could result in serious injury or death!**

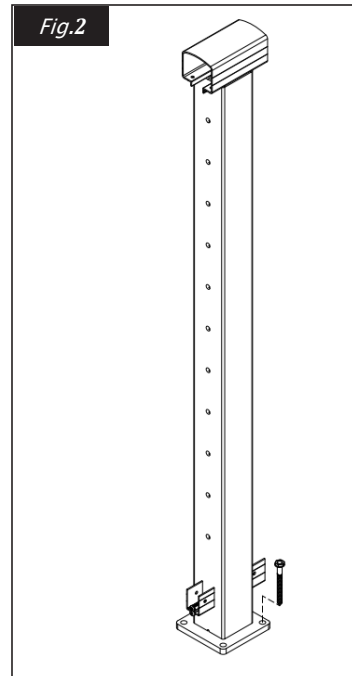
No member of Vista Railing Systems Inc., or the Dealer shall be liable for any loss or damage resulting from the improper installation or use of this product. If any member of Vista Railing Systems Inc., or the Dealer becomes liable for any loss or damage, the aggregate liability of Vista Railing Systems Inc. shall be limited to the retail purchase price of that product. For further information, please consult your authorized Vista™ Dealer.

**NOTE: Affixing posts to decking surface is a critical part of ensuring the strength of your railings system. Please choose a fastener that meets or exceeds the minimum requirement outlined in the Vista™ deck railing design guide. If your deck is unique and is not listed in the guide, please consult a professional engineer for assistance.**

**IMPORTANT:** Before starting your residential Vista™ deck railing project, please ensure to check your local building codes and building permit requirements prior to installation. Building codes may vary. Always comply with all applicable building codes. Please check areas to be drilled are free from utilities, services and hazards.

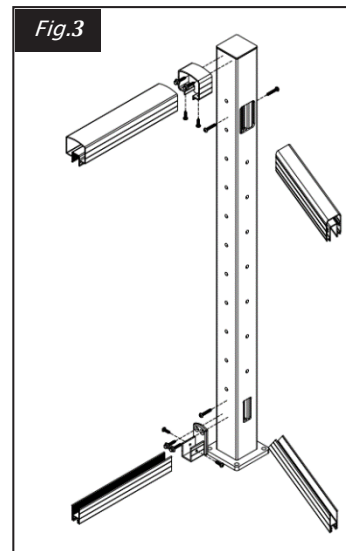
## STEP 2 POST TO RAIL ATTACHMENT

Install posts at this time with only 1 fastener that meets or exceeds minimum requirements outlined in the Vista™ residential deck railing design guide (see Fig 2). This will allow enough movement in the post for installation of top rail later. (see Step 4) (NOTE: Deck fasteners are not included)

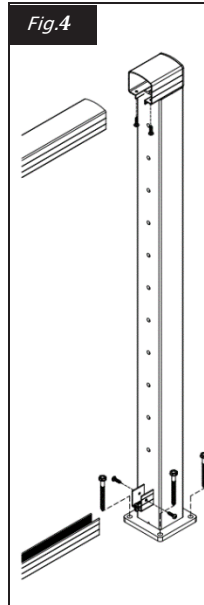


## STEP 3 BRACKET ATTACHMENT

Install post brackets as required. (See Fig. 3)



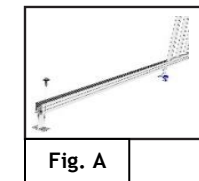
## STEP 4 TOP & BOTTOM RAIL ASSEMBLY



**NOTE:** Top and bottom rail with picket gasket can be cut at same time. We recommend drilling a 3/16" hole every 2 - 3 feet in bottom rail to allow water drainage. Measure distance between posts, deduct 1/2" and cut top rail section. Install top rail securing one end only using #10 x 3/4" TEK screws provided with post. Check to ensure posts are perpendicular to deck surface, and install remainder of post to deck fasteners. Refer to step 2 for appropriate method to attach posts and note about fasteners. (use exterior silicone "non-corrosive" caulking in screw holes for waterproofing). Repeat and secure opposite end of top rail. . Space bottom rail support legs evenly between posts and secure into the deck with #10 x 1-1/4" wood screw (included).

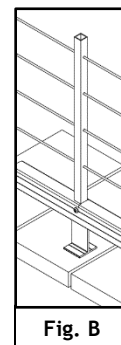
Repeat procedure every section approximately every 36-42" in rough position. (see Fig. A)

**Important:** Secure both rail ends using two of the #10 x 3/4" TEK screws provided, one from each side. (see Fig. 3 and 4)



## STEP 4A CHANNEL COVER

Channel Cover package contains 2 pieces; one notched for level intermediate picket spacer and one for stair intermediate picket spacer.



Each set is to wrap around the intermediate picket spacer on the top or the bottom, Fig. B. For level installation: measure, cut and install channel cover on top or bottom rail using 0.63" notch to fit around intermediate picket. Measure distance from other post to other side of picket; mark this distance on other piece ensuring to cut off 0.88" notch. Install channel cover on top or bottom rail to complete.

## STEP 5 NON-TENSIONING FITTING ASSEMBLY (Post A)

Place the black washer over the threaded Push-Lock bolt. Turn the fitting into the pre-drilled and tapped 5/16-24



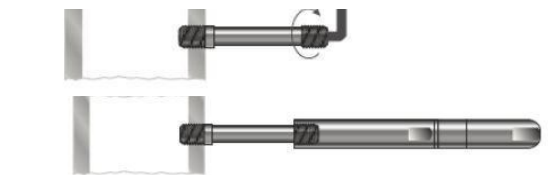
hole in the post A using 3/8" open-end wrench on wrench flats milled into body of fitting. Stop turning when shoulder on fitting between threaded bolt and body makes contact with metal post.

## STEP 5A TENSIONING FITTING ASSEMBLY (POST B)



The Tensioner comes with the Threaded Bolt attached; you need to separate first

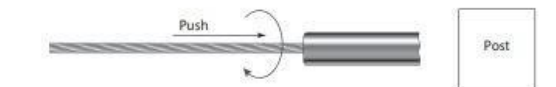
Using the Push-Lock Tensioner with Threaded Bolt, hand turn the threaded bolt component of the assembly clockwise into the post, tightening with a 3/16" hex wrench. Assemble female threaded rotating portion of fitting onto male thread only so far as to cover the male thread and no more.



## STEP 6 CABLE ASSEMBLY

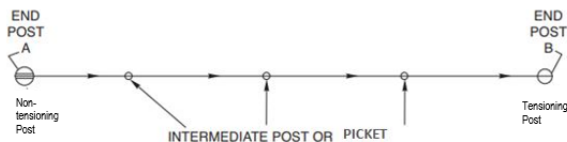
Feed the cable into the non-tension/ Lock Bolt cable.

**Note:** If you have trouble inserting the cable into the fitting, it may be because the locking wedges have become stuck. This is not a defect! Here's what you can do to "free the wedges" -- Insert the key into the hole and press until the wedges move freely. -- Only use the key as you may risk aettina that obiect stuck.



## STEP 6A | THREADING CABLE THROUGH INTERMEDIATE POSTS

Starting at Post A; feed the bare end of the cable through all of the Mid Posts and Intermediate Pickets.

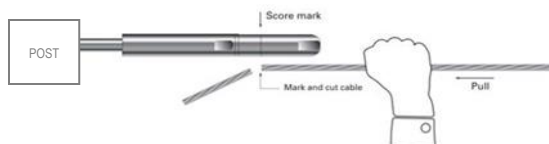


**NOTE:** Mid Posts or Intermediate Pickets should be more than 48" apart

## STEP 6B | ENDING/CUTTING CABLE AT TERMINATION POST

After the cable is anchored in the non-tension end and threaded through all of the mid post or intermediate pickets.

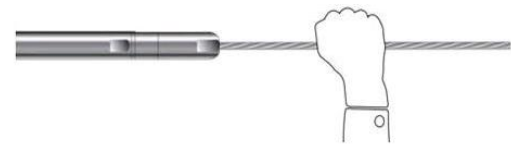
- c) Hand pull the cable to the score line on the Tensioner
- d) Mark cable at the score line and cut



- b) Remove the female threaded rotating portion of fitting and push the cable wire into the female tensioner.



- a) Rotate the female threaded portion of fitting back on to the male thread



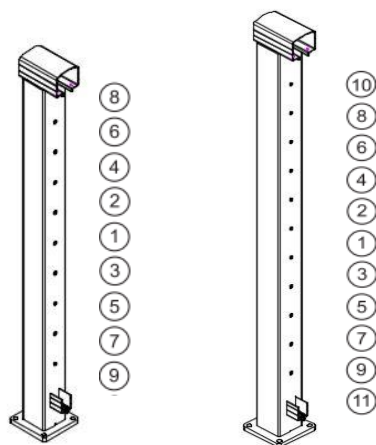
## STEP 7 | TENSIONING CABLE

After attaching the non-tensioning fitting, tension cable by holding tensioner body at 3/8" wrench flat nearest cable (**do not** let this section rotate while cable is inserted) and rotating female threaded section of fitting with a 3/8" open-end wrench onto threads.



## STEP 7A | TENSIONING CABLE

Tension all cables in sequence, beginning with the center cables, moving up and down toward the top and bottom. As you tension each cable, pull sharply downward mid-span to help set the wedges, then re-tension as necessary in the same sequence.



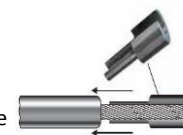
36" Cable End Post –  
9 Strands of Cable

42" Cable End Post –  
11 Strands of Cable

## KEY INSTRUCTIONS

The key opens the spring-loaded jaws that grip the cable prior to tensioning. The key is used when you want to remove the cable from the Threaded Bolt during the installation. This key opens the spring-loaded jaws and will help to insert the cable into the Bolt if you are having trouble with that step. \*\* Not to be used after the cable has been tensioned\*\*

1. Slide the groove of the key along the cable until the cable is completely inside the groove. Carefully insert the key into the Bolt opening.
2. Push down until the key reaches the end, you will feel resistance from the spring-loaded jaws.
3. The cable will now safely come free from the Bolt without damaging the jaw mechanism



## IMPORTANT

Before beginning your residential deck railing project, you will need to refer to the Vista™ residential deck railing design guide to choose appropriate post to deck fasteners for your specific application or consult with a professional engineer. The design guide can be found at [www.vistarailings.com](http://www.vistarailings.com) or toll free 1-800-667-8247

## TOOLS AND MATERIALS REQUIRED

Handsaw or 10" Mitre saw with Thin (Kerf) Blade / Electric Drill / 1/8" and 3/16" Drill Bits and 3/8" Hex Head Driver / Torx Screwdriver - T25 drive / Robertson Screwdriver - No. 2 / Measuring Tape / 2 x 3/8" Wrench / Rubber Mallet (optional)

[www.vistarailings.com](http://www.vistarailings.com)

Toll Free: 1-800-667-8247

Vista™ is a registered trademark of Vista

Railings 2020-12-14\_V7

**vista**  
style & simplicity

# Residential Aluminum Cable Deck Railing Assembly Instructions