

Drink Rail Adapter Kit Installation Instructions

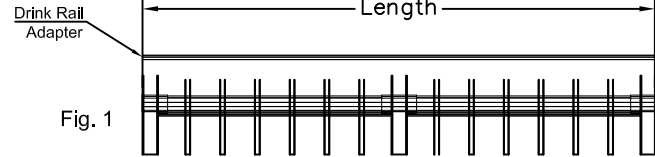


For 90 Degree Applications

The Vista Drink Rail Adapter is designed to fit over the Vista Aluminum Railing Systems.

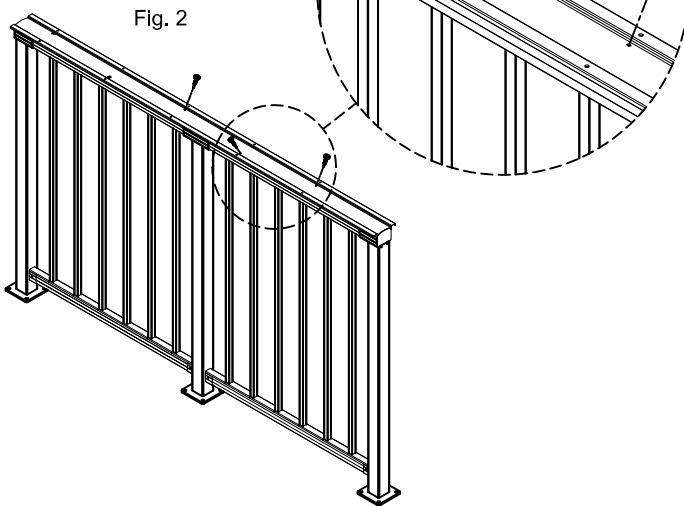
Step (1) Measure distance from end post to end post including post sleeve and cut Rail Adapter to length as needed.

(see fig. 1)



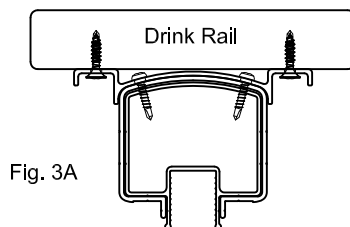
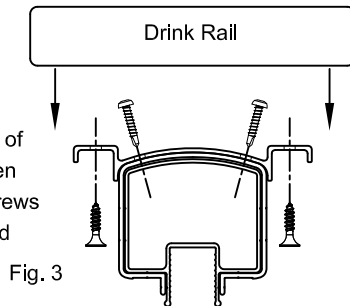
Step (2) Fasten Drink Rail Adapter to top rail using # 10 x 3/4" PH Torx Tek screws provided placing through predrilled holes alternating sides. Due to length variations,drilling additional holes maybe required.

(fig 2)



Step (3) Center drink rail over top of Vista Drink Rail Adapter and fasten using # 10 x 3/4" PH Torx Tek screws provided placing through predrilled holes.

(fig 3 and fig 3A)



Step (A) Take two drink rail adapters and cut one end of each adapter with opposing 45 degree angles.

Step (B) Place drink rail adapters over top of Vista Aluminum Railing ensuring 45 degree angles meet well in the 90 degree corner.

Step (C) Mark Drink Rail Adapters for length and trim as needed.

Step (D) Fasten Drink Rail Adapters with #10 x 3/4" PH Torx Tek screws provided placing through predrilled holes alternating sides. Due to length variations,drilling additional holes maybe required.

(fig.4)

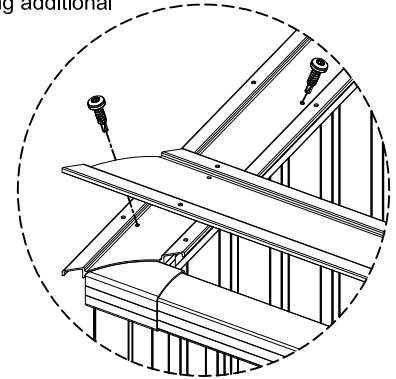


Fig. 4

Step (E) Once all Drink Rail Adapters have been installed, drink rails can be cut and installed by repeating Steps A to C above.

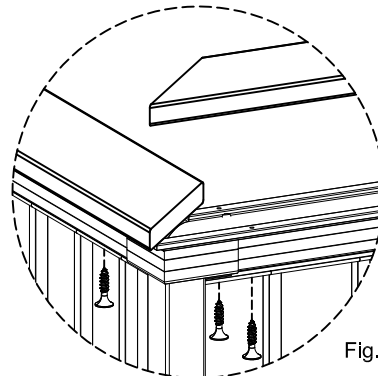
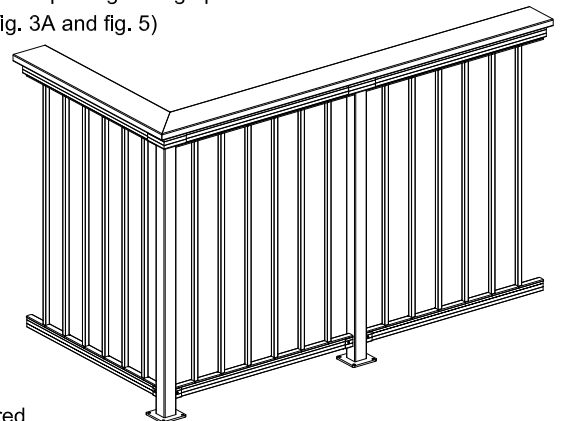


Fig. 5

Step (F) Fasten Drink Rails with #10 x 3/4" Flat Head Torx Tek screws provided placing through predrilled holes.

(see fig. 3, fig. 3A and fig. 5)



Tools required

Mitre Saw with 80 tooth non-ferrous carbide blade,
Electric Drill, 1/8" and 3/16" Drill Bits, T25 Torx Screw Driver,
Measuring Tape.