

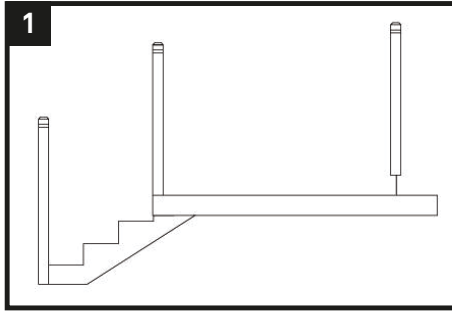


vista

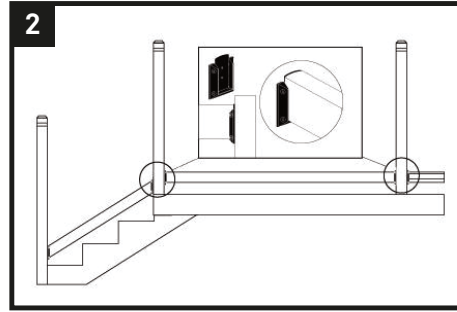
style &
simplicity

Traditional Railing System

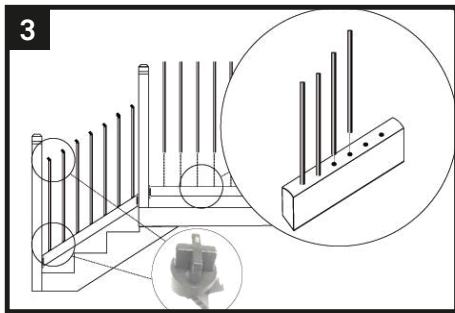
Traditional Railing System



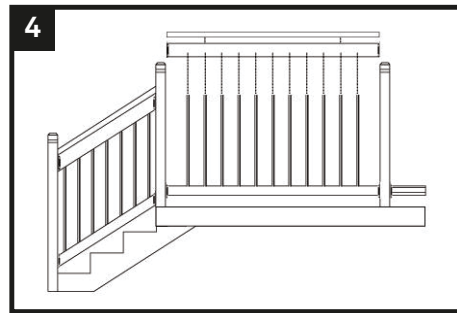
1 Set newel posts (sold separately) to accommodate pre-drilled rail length. Center pre-drilled rail between newel posts and trim equal amounts from each end of top and bottom rails.



2 Slide Rail Hanger Bracket over the end of the rail and attach with screws through end of rail. Opening of bracket must always be up.



3 With a high-quality polyurethane construction adhesive, fill all the holes half way. Insert balusters into pre-drilled holes in rail. This will bond the wood to the balusters. Best to use 26" baluster option for stairs.



4 Attach pre-drilled top rail, fasten railing section to post with hanger bracket, attach cap rail with high-quality construction adhesive.

EVERYTHING YOU NEED BETWEEN THE POSTS!

- ✔ 2 profiled & precision factory pre-drilled rails
- ✔ 1 profiled cap rail
- ✔ Powder-coated balusters (round/straight)
- ✔ 2 pair of rail hanger brackets with fasteners
- ✔ Sizes available: 6ft (71½" or 8ft (95½"))



36" Deck Railing Height:
6FT kit 26" 3 rail Brown Treated – CRBTR6B26M
6FT kit 26" 3 rail Premium Western Red Cedar – CRWRC6B26M



42" Deck Railing Height:
6FT kit 32" 3 rail Brown Treated – CRBTR6B32M
6FT kit 32" 3 rail Premium Western Red Cedar – CRWRC6B32M



8FT kit 26" 3 rail Brown Treated – CRBTR8B26M
8FT kit 32" 3 rail Brown Treated – CRBTR8B32M



STAIR ANGLE ADAPTERS – Black 15 pack AL9400B00W



RAIL HANGER BRACKET Pack of 2 with fasteners HW9509600W



Note: Contact your local building department prior to installation. Available in Premium Western Red Cedar and Brown treated kits. Level kits can be converted using the stair connectors accessory that change the baluster to rail connection to a 36-degree exterior stair. Posts also available for purchase in Premium Western Red Cedar and Brown treated species (posts not included in kits). Available in 42" and 36" railing heights.