

Frameless Fascia Mount Installation Instructions

Step (1) Install 2 ½" Vista Fascia mount Bracket to side of structure with the top of the bracket located 50mm (2.00") below deck surface.

Ensure that installation of brackets will have posts plum.
(See fig. 1)

For additional details for acceptable guardrail mounting configurations and layouts, refer to the 8th edition of the Vista Design Manual.

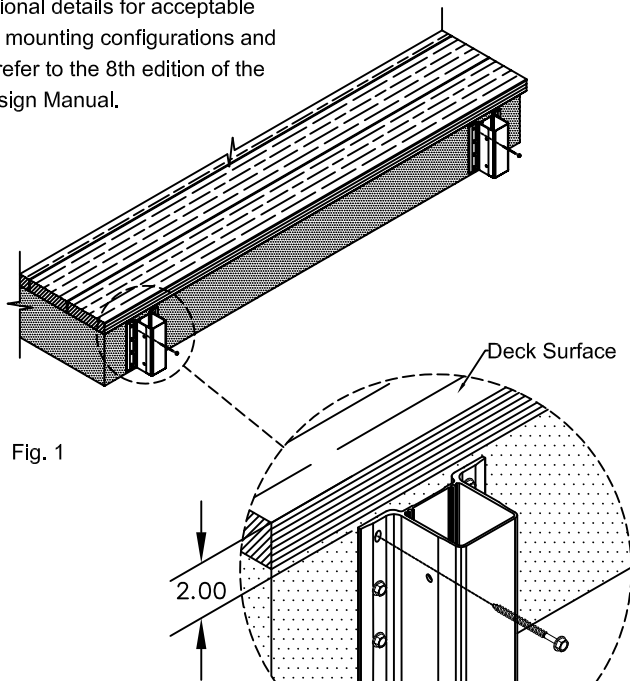


Fig. 1

Step (2) Insert post completely into fascia mount bracket and fasten using 4 #14 x 2 ½" hex head bolts provided placing them through the predrilled holes.
(See fig. 2)

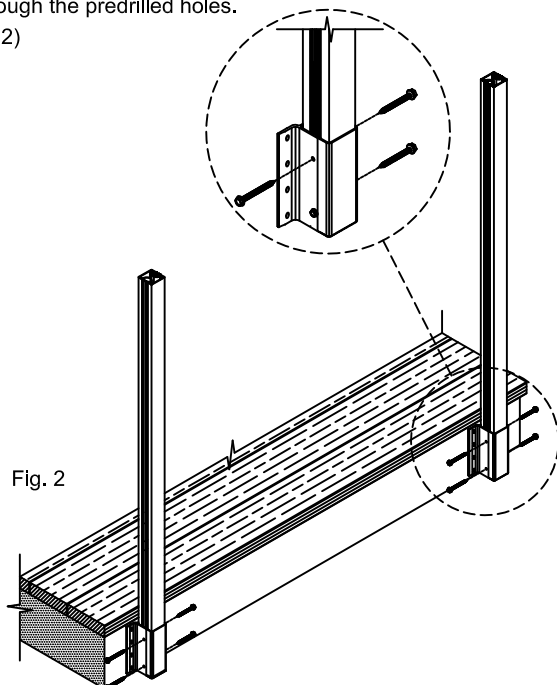
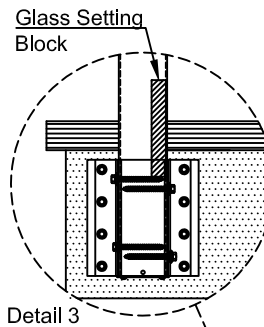


Fig. 2

Step (3) Place 127mm (5") glass setting block inside glass gasket resting the block on the #14 x 2 ½" hex head screw. (See detail 3)

Step (4) Insert glass panel into post track and slide down till glass panel rests on glass setting blocks.
Helpful Hint: Lubricate rubber gasket and glass with glass cleaner to help with installation of glass panel. (See fig. 4)



Detail 3

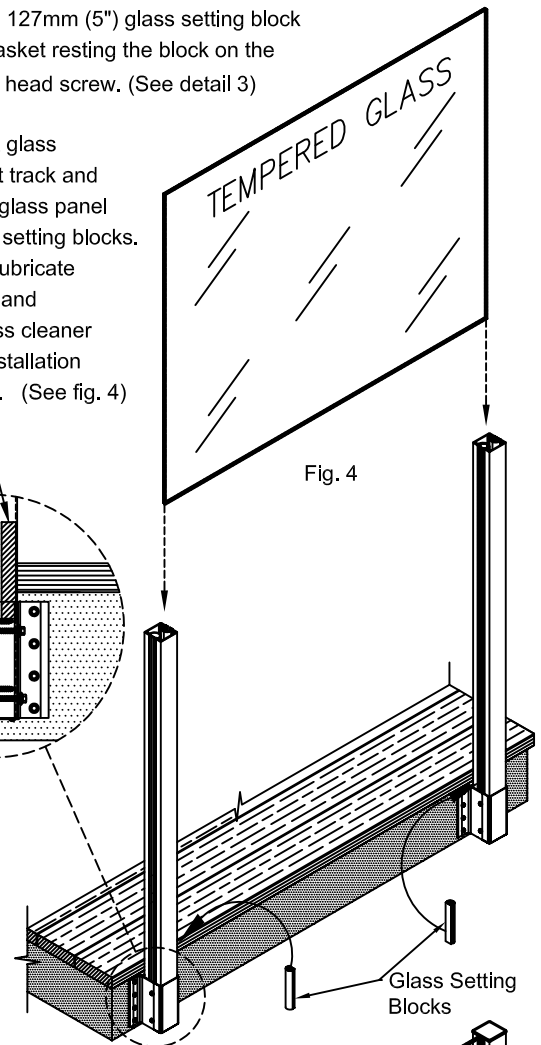


Fig. 4

Step (5) Press post cap on top of post to complete.
(See fig.5)

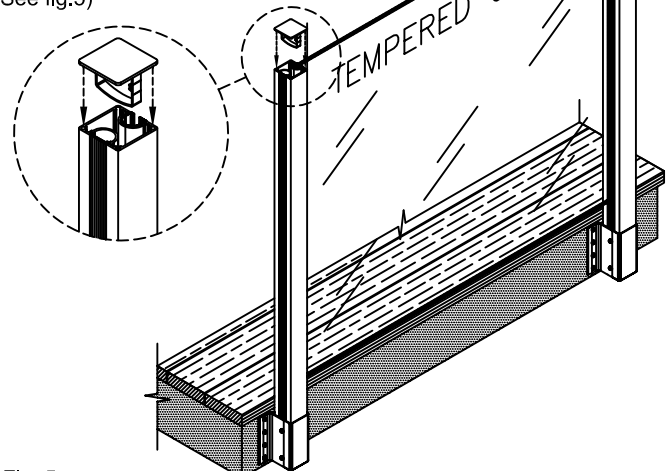


Fig. 5