

Figure 1

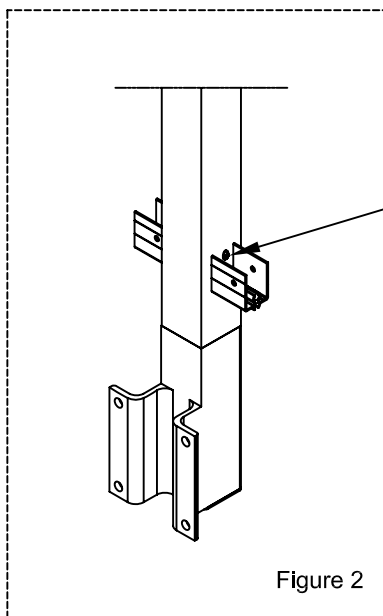


Figure 2

Fascia Bracket Installation:

- (1) To remove the existing base plate from the post, follow the instructions below.
- (2) Clamp the post to a bench or table top securely so you can push against the fasteners from the bottom of the post. Provide padding where needed to prevent scratching of the post during this process.
- (3) Using a good quality #3 Robertson bit driver installed into a variable speed drill, push firmly and squarely into the fasteners from the bottom of post using your body weight.
- (4) Push extra hard against the drill while at the same time exert some counter clockwise rotation on the drill. This should break the fastener loose and allow for the removal of the screw and base plate. You may need to tap the base plate to break the paint seal and free the base from the post.
- (5) Slip the post down over the fascia bracket. If the screws attaching the bottom channel to the post interfere with the fascia splice, Remove them and replace with 4 #10 x 1 3/4" screws provided. Figure 1
- (6) Slide the post over top of the fascia bracket and secure using the 1" self drilling screw provided. This can be installed in the area of the lower channel bracket so it is not seen once railing installation is complete. Figure 2