

lang  
structural  
engineering  
inc.

May 25, 2018

File: 112-064

Re: Vista Railing Systems Inc.  
VISTA- Somerset Railing System

Dear Madam/Sir:

VISTA – Somerset Railing System has been reviewed and evaluated and determined to be in compliance with the following requirements:

2018 International Building Code (IBC)  
Section 1014. Handrails  
Section 1015 Guards  
Section 1607.8.1 Handrails and Guards (For One and Two Family Dwellings)

2018 International Residential Code (IRC)  
Section R301.5 Live Load  
Section R311.7.8 Handrails  
Section R312.1. Guards

Furthermore, all fastener connections represented on the VISTA – Somerset Railing System sealed drawings, dated May 25, 2018, are in compliance with the aforementioned building codes load requirements.

The seals applied are current for the details and tables assembled for the codes indicated above. Annual resealing of these documents is not necessary.

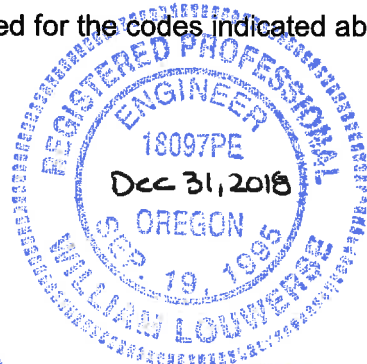
Contact us with any further questions concerning this.

Yours truly,  
**LANG STRUCTURAL ENGINEERING INC.**

Bill Louwerse, P.Eng., StructEng., PE  
BL/lg



EXPIRES 04/03/19



EXPIRES 9/30/19

SCALE  
 Drawn: 1:1  
 Displayed: 1:20

DIMENSION UNITS  
 Inches

# FABRICATION DRAWING

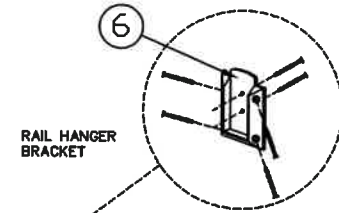
PRODUCT FAMILY  
**RailSimple**

DRAWING #  
**6' Railing**

**NOTE:**  
 (1) CONNECTION OF DECK POSTS TO SUPPORT STRUCTURE NOT INCLUDED IN THE SCOPE OF THESE DRAWINGS.  
 (2) BUILDING GENERAL CONTRACTOR IS RESPONSIBLE FOR PROVIDING ADEQUATE BACKING IN WALLS AND FLOORS FOR CONNECTION OF THE RAILSIMPLE RAILING SYSTEMS DESCRIBED IN THESE DRAWINGS. (WHEN MOUNTING TO ACQ TREATED WOOD ENSURE THAT ACQ COMPATIBLE FASTENERS ARE USED.)  
 (3) THE RAILSIMPLE RAILING CONFIGURATION REPRESENTED ON THIS DRAWING IS IN COMPLIANCE WITH THE APPLICABLE REQUIREMENTS OF 2018 INTERNATIONAL BUILDING CODE (IBC) AND 2018 INTERNATIONAL RESIDENTIAL CODE (IRC) FOR SERVING ONE-AND TWO-FAMILY DWELLINGS AND SUBJECT TO EVALUATION AND APPROVAL BY AUTHORITY HAVING JURISDICTION.  
 (4) FOR ADDITIONAL SUPPORT DOCUMENTATION INTERTEK REPORT NUMBER 102242238CDQ-001A WILL BE PROVIDED UPON REQUEST.

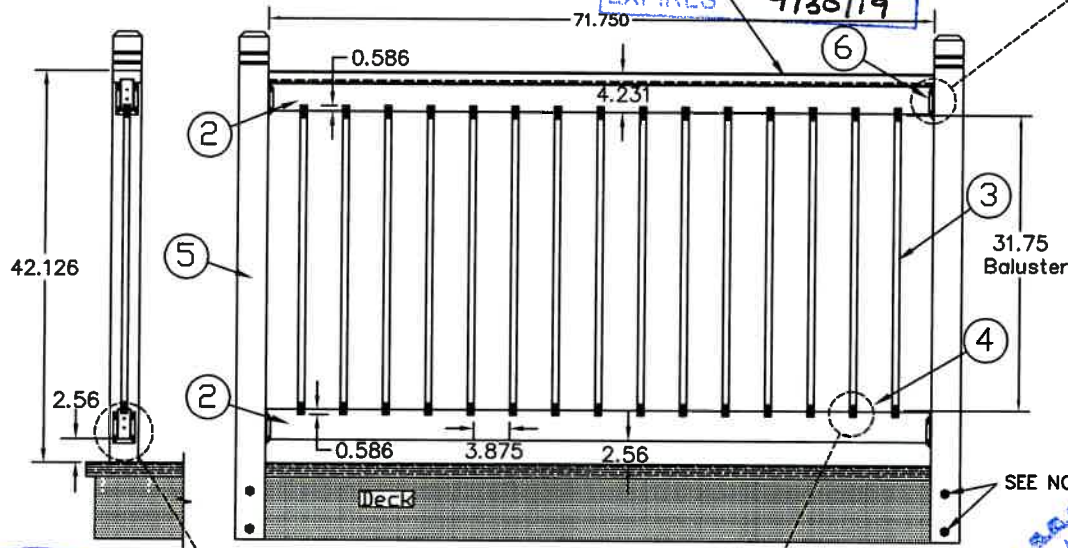


EXPIRES **9/30/19**

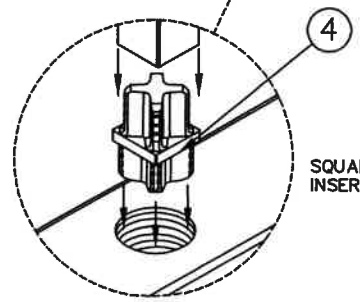
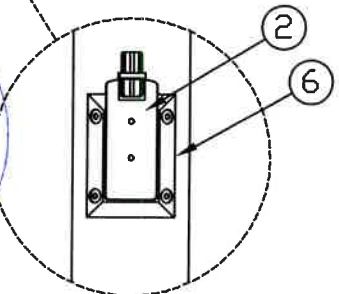
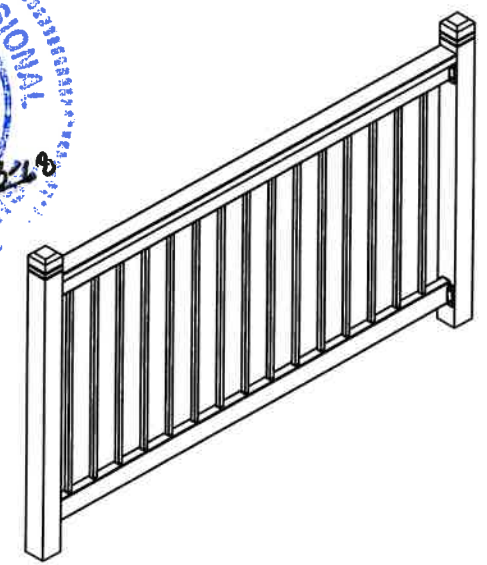


RAIL HANGER BRACKET

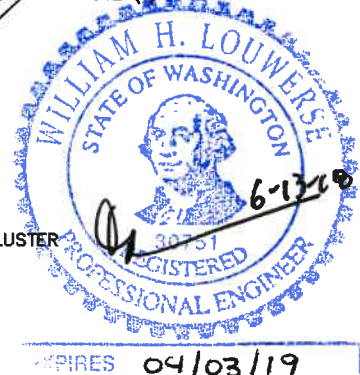
PARTS LIST	
ITEM	DESCRIPTION
1	C282W CAP RAIL GLUED AND NAILED TO TOP RAIL W/2 1/2" GALVANIZED NAILS @ 24" CENTERS AND SKEW SCREWED TO POST W/(2) #8 X 2" STAINLESS STEEL SCREWS
2	C280 TOP & BOTTOM RAIL
3	1/4" ALUMINUM PICKET
4	SQUARE BALUSTER INSERT
5	CEDAR DECK POST (See Note (1) & (2))
6	HANGER BRACKET ASSEMBLY TO RAILS W/(2) #8 X 1 3/4" STAINLESS STEEL SCREWS AND TO POST W/(4) #8 X 1 3/4" STAINLESS STEEL SCREWS



SEE NOTE (1)



SQUARE BALUSTER INSERT



**vista**

No.	PART	BILL OF MATERIALS	QTY.	Cut Length	±	No.	PART	BILL OF MATERIALS	QTY.	Cut Length	±	No.	PART	BILL OF MATERIALS	QTY.	Cut Length	±	
1	C282W	1 3/8" X 3 1/8" 6' Cedar Rail	1	71 3/4"	1/16"	5	C910654	3 1/4" X 54" Cedar Deck Post	2	54"	1/16"	9						
2	C280	6' Cedar Pre-drilled Rail	2	71 1/2"	1/16"	6	HW95096	Rail Hanger Bracket	2	N/A	N/A	10						
3	V5309	11/16" x 31.75" Picket	15	31 3/4"	1/16"	7						11						
4	AL9408	11/16" Square Baluster Adapter	30	N/A	N/A	8						12						

DWN BY:  
 DATE: May 18, 2018  
 PART NAME:  
**Somerset 6' Railing System**  
 EST. WEIGHT: lbs N/A Kg. N/A

Somerset  
 Cad File

The recipient of this information hereby acknowledges and agrees that information obtained herein is proprietary to Vista Railing Systems Inc. and shall not be used, disclosed and / or duplicated except in accordance with the expressed written authorization of VRS



SCALE  
 Drawn: 1:1  
 Displayed: 1:20

DIMENSION UNITS  
 Inches

# FABRICATION DRAWING

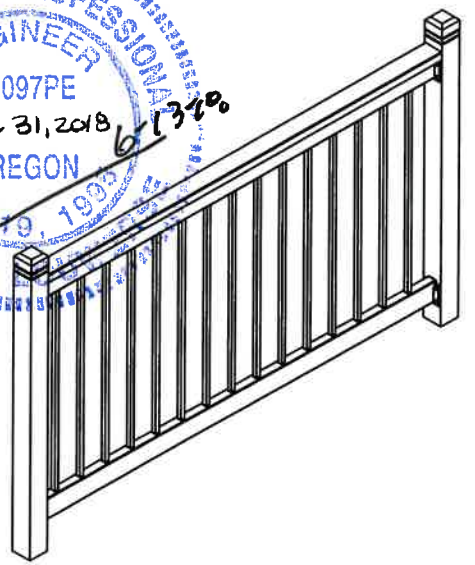
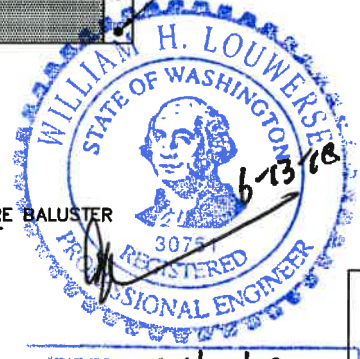
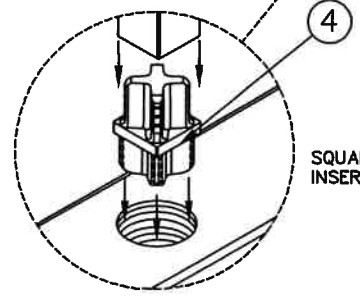
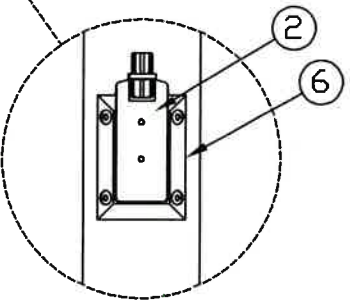
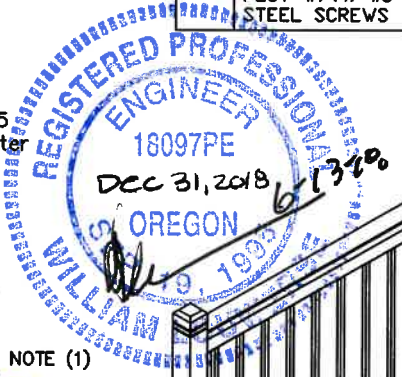
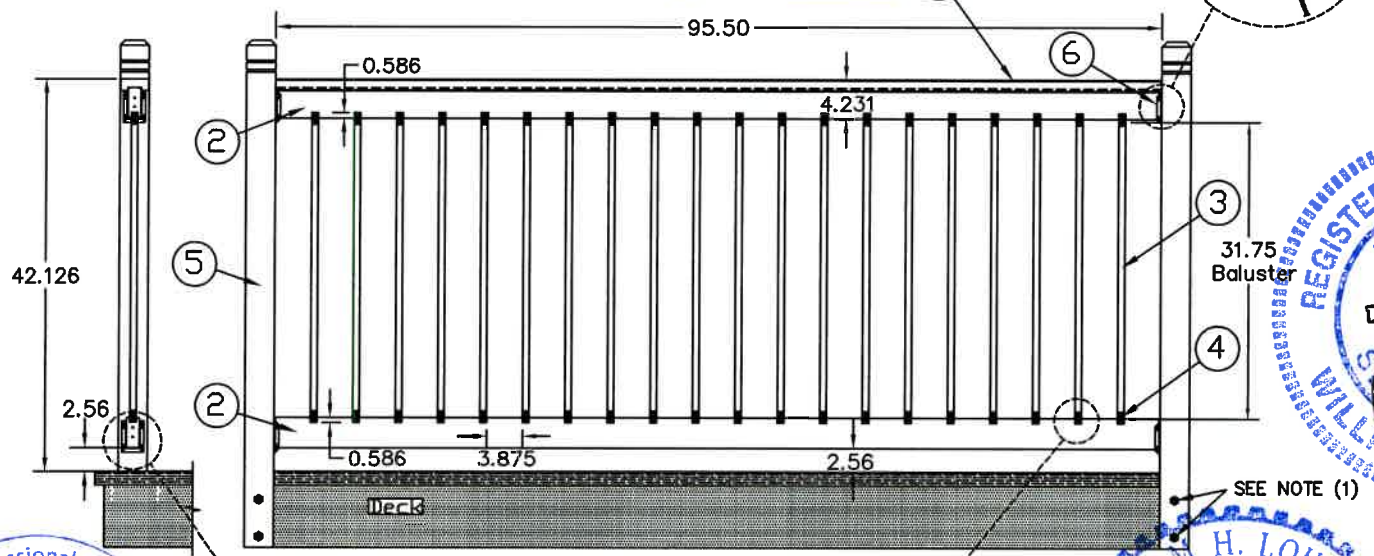
PRODUCT FAMILY  
 RailSimple

DRAWING #  
 8' Railing

**NOTE:**  
 (1) CONNECTION OF DECK POSTS TO SUPPORT STRUCTURE NOT INCLUDED IN THE SCOPE OF THESE DRAWINGS.  
 (2) BUILDING GENERAL CONTRACTOR IS RESPONSIBLE FOR PROVIDING ADEQUATE BACKING IN WALLS AND FLOORS FOR CONNECTION OF THE RAILSIMPLE RAILING SYSTEMS DESCRIBED IN THESE DRAWINGS. (WHEN MOUNTING TO ACQ TREATED WOOD ENSURE THAT ACQ COMPATIBLE FASTENERS ARE USED.)  
 (3) THE RAILSIMPLE RAILING CONFIGURATION REPRESENTED ON THIS DRAWING IS IN COMPLIANCE WITH THE APPLICABLE REQUIREMENTS OF 2018 INTERNATIONAL BUILDING CODE (IBC) AND 2018 INTERNATIONAL RESIDENTIAL CODE (IRC) FOR SERVING ONE-AND TWO-FAMILY DWELLINGS AND SUBJECT TO EVALUATION AND APPROVAL BY AUTHORITY HAVING JURISDICTION.  
 (4) FOR ADDITIONAL SUPPORT DOCUMENTATION INTERTEK REPORT NUMBER 102832394CDQ-003B WILL BE PROVIDED UPON REQUEST.



PARTS LIST	
ITEM	DESCRIPTION
1	AT282W CAP RAIL GLUED AND NAILED TO TOP RAIL W/2 1/2" GALVANIZED NAILS @ 24" CENTERS AND SKEW SCREWED TO POST W/(2) #8 X 2" STAINLESS STEEL SCREWS
2	AT280 TOP & BOTTOM RAIL
3	1/4" ALUMINUM PICKET
4	SQUARE BALUSTER INSERT
5	TREATED DECK POST (See Note (1) & (2))
6	HANGER BRACKET ASSEMBLY TO RAILS W/(2) #8 X 1 3/4" STAINLESS STEEL SCREWS AND TO POST W/(4) #8 X 1 3/4" STAINLESS STEEL SCREWS



**vista**

DWN BY: \_\_\_\_\_  
 DATE: May 18, 2018  
 PART NAME:  
**Somerset 8' Railing System**  
 EST. WEIGHT lbs/N/A Kg, N/A

No.	PART	BILL OF MATERIALS	QTY.	cut Length	±	No.	PART	BILL OF MATERIALS	QTY.	cut Length	±	No.	PART	BILL OF MATERIALS	QTY.	cut Length	±	
1	T282W	1 3/8" X 3 1/8" 8' Treated Rail	1	95 1/2"	1/16"	5	AT910654	3 1/4" X 54" Treated Deck Post	2	54"	1/16"	9						
2	AT280	8' Treated Pre-drilled Rail	2	95 1/4"	1/16"	6	HW95096	Rail Hanger Bracket	2	N/A	N/A	10						
3	V5309	11/16" x 31.75" Picket	20	31 3/4"	1/16"	7						11						
4	AL9408	11/16" Square Baluster Adapter	30	N/A	N/A	8						12						

The recipient of this information hereby acknowledges and agrees that information obtained herein is proprietary to Vista Railing Systems Inc. and shall not be used, disclosed and / or duplicated except in accordance with the expressed written authorization of VRS

Somerset  
 Cad File

SCALE  
 Drawn: 1:1  
 Displayed: 1:20

DIMENSION UNITS  
 Inches

# FABRICATION DRAWING

PRODUCT FAMILY  
**RailSimple**

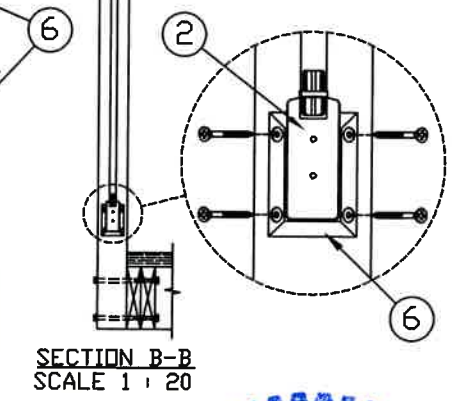
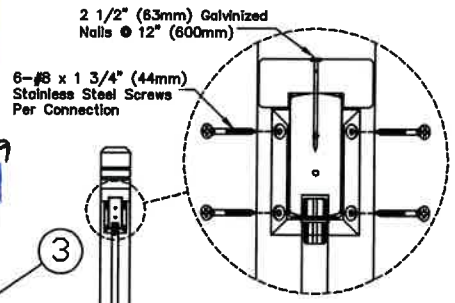
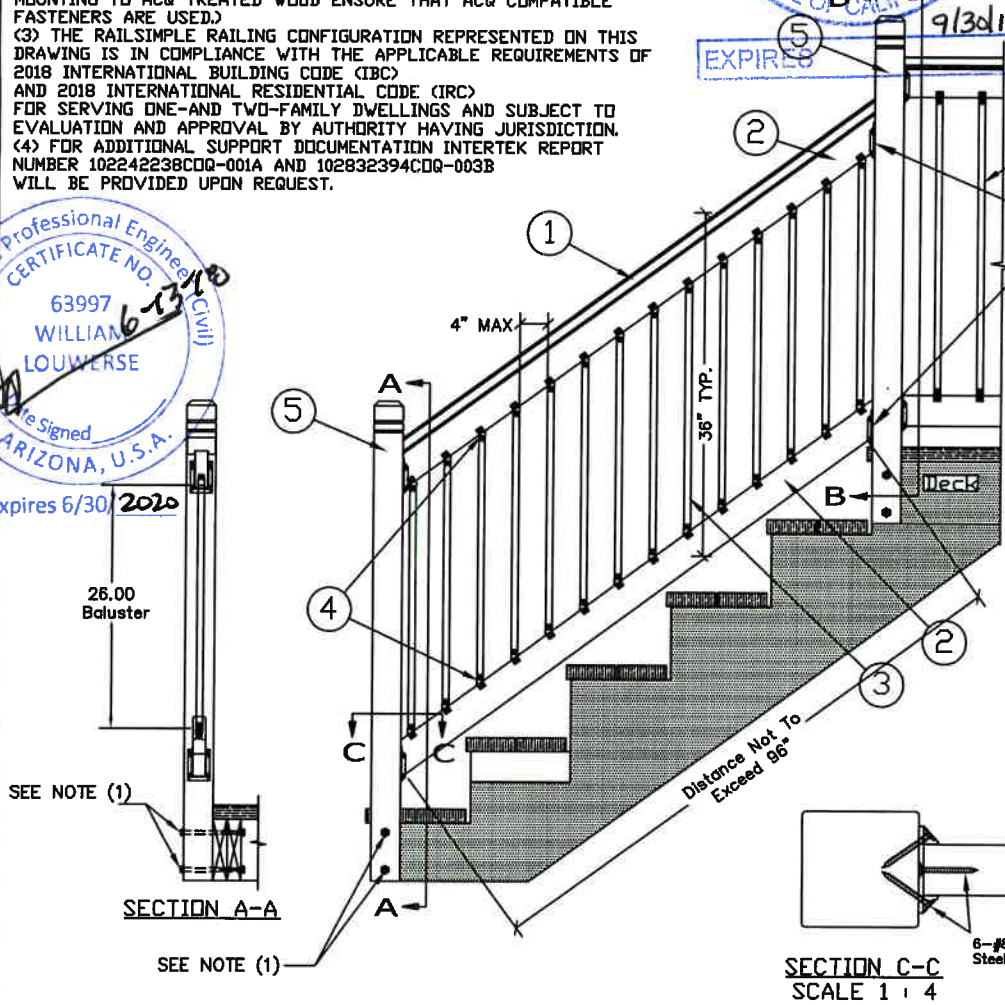
DRAWING #  
**Stair Railing**



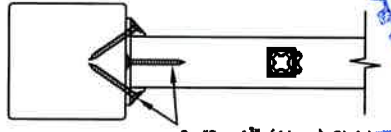
**NOTE:**  
 (1) CONNECTION OF DECK POSTS TO SUPPORT STRUCTURE NOT INCLUDED IN THE SCOPE OF THESE DRAWINGS.  
 (2) BUILDING GENERAL CONTRACTOR IS RESPONSIBLE FOR PROVIDING ADEQUATE BACKING IN WALLS AND FLOORS FOR CONNECTION OF THE RAILSIMPLE RAILING SYSTEMS DESCRIBED IN THESE DRAWINGS. (WHEN MOUNTING TO ACQ TREATED WOOD ENSURE THAT ACQ COMPATIBLE FASTENERS ARE USED.)  
 (3) THE RAILSIMPLE RAILING CONFIGURATION REPRESENTED ON THIS DRAWING IS IN COMPLIANCE WITH THE APPLICABLE REQUIREMENTS OF 2018 INTERNATIONAL BUILDING CODE (IBC) AND 2018 INTERNATIONAL RESIDENTIAL CODE (IRC) FOR SERVING ONE-AND TWO-FAMILY DWELLINGS AND SUBJECT TO EVALUATION AND APPROVAL BY AUTHORITY HAVING JURISDICTION.  
 (4) FOR ADDITIONAL SUPPORT DOCUMENTATION INTERTEK REPORT NUMBER 10224223BCDQ-001A AND 102832394CDQ-003B WILL BE PROVIDED UPON REQUEST.



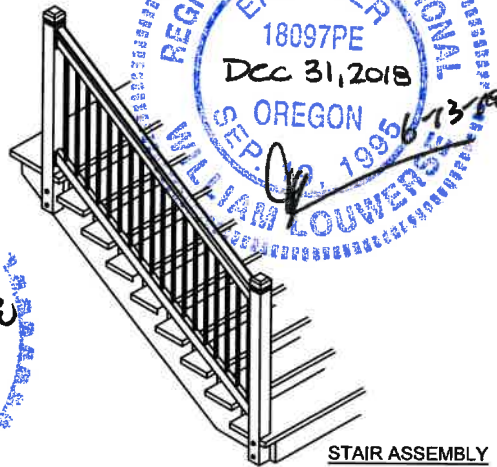
PARTS LIST	
ITEM	DESCRIPTION
1	282W CAP RAIL GLUED AND NAILED TO TOP RAIL W/2 1/2' GALVINIZED NAILS @ 24" CENTERS AND SKEW SCREWED TO POST W/(2) #8 X 2" STAINLESS STEEL SCREWS
2	280 TOP & BOTTOM RAIL
3	1/16" ALUMINUM PICKET
4	SQUARE BALUSTER INSERT
5	DECK POST (See Note (1) & (2))
6	HANGER BRACKET ASSEMBLY TO RAILS W/(2) #8 X 1 3/4" STAINLESS STEEL SCREWS AND TO POST W/(4) #8 X 1 3/4" STAINLESS STEEL SCREWS



SECTION B-B  
 SCALE 1 : 20



SECTION C-C  
 SCALE 1 : 4



**vista**

**Somerset Stair Railing**

EST. WEIGHT lbs/N/A Kg. N/A

DWN BY: \_\_\_\_\_  
 DATE: May 18, 2018  
 PART NAME: Somerset Stair Railing

No.	PART	BILL OF MATERIALS	QTY.	cut Length	±	No.	PART	BILL OF MATERIALS	QTY.	cut Length	±	No.	PART	BILL OF MATERIALS	QTY.	cut Length	±	
1	T282W	1 3/8" X 3 1/8" 6' Treated Rail	1	N/A	N/A	5	AT910654	3 1/4" X 54" Treated Deck Post	2	N/A	N/A	9						
2	AT280	6' Treated Pre-drilled Rail	2	N/A	N/A	6	HW95096	Rail Hanger Bracket	4	N/A	N/A	10						
3	V5309	11/16" x 31.75" Picket	15	N/A	N/A	7						11						
4	AL9409	11/16" Square Stair Adapter	30	N/A	N/A	B						12						

The recipient of this information hereby acknowledges and agrees that information obtained herein is proprietary to Vista Railing Systems Inc. and shall not be used, disclosed and / or duplicated except in accordance with the expressed written authorization of VRS

Somerset Cad File



SCALE  
Drawn: 1:1  
Displayed: 1:20

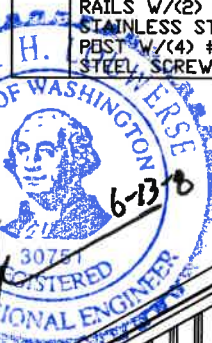
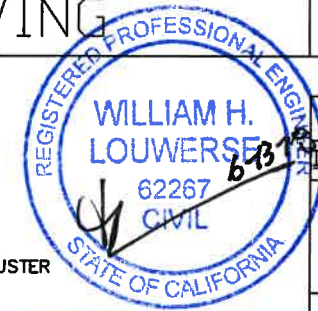
DIMENSION UNITS  
Inches

# CONNECTIONS DRAWING

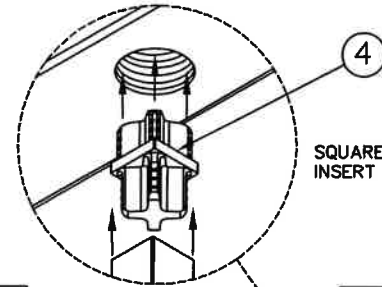
PRODUCT FAMILY  
RailSimple

DRAWING #  
Connection

**NOTE:**  
 (1) CONNECTION OF DECK POSTS TO SUPPORT STRUCTURE NOT INCLUDED IN THE SCOPE OF THESE DRAWINGS.  
 (2) BUILDING GENERAL CONTRACTOR IS RESPONSIBLE FOR PROVIDING ADEQUATE BACKING IN WALLS AND FLOORS FOR CONNECTION OF THE RAILSIMPLE RAILING SYSTEMS DESCRIBED IN THESE DRAWINGS. (WHEN MOUNTING TO ACQ TREATED WOOD ENSURE THAT ACQ COMPATIBLE FASTENERS ARE USED.)  
 (3) THE RAILSIMPLE RAILING CONFIGURATION REPRESENTED ON THIS DRAWING IS IN COMPLIANCE WITH THE APPLICABLE REQUIREMENTS OF 2018 INTERNATIONAL BUILDING CODE (IBC) AND 2018 INTERNATIONAL RESIDENTIAL CODE (IRC) FOR SERVING ONE- AND TWO-FAMILY DWELLINGS AND SUBJECT TO EVALUATION AND APPROVAL BY AUTHORITY HAVING JURISDICTION.  
 (4) FOR ADDITIONAL SUPPORT DOCUMENTATION INTERTEK REPORT NUMBER 1022422394CDQ-001A AND 102832394CDQ-003B WILL BE PROVIDED UPON REQUEST.



**vista** LOUWERSE

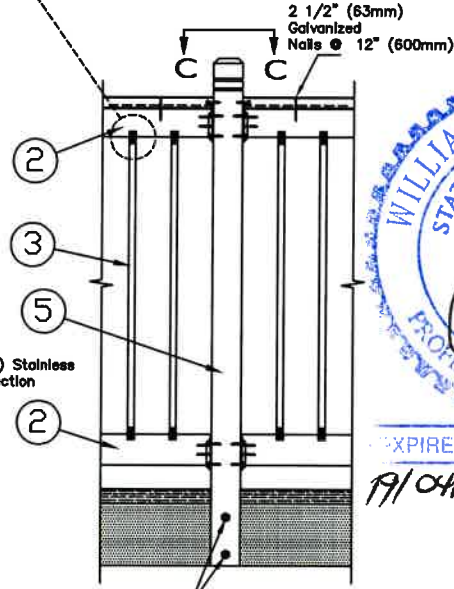
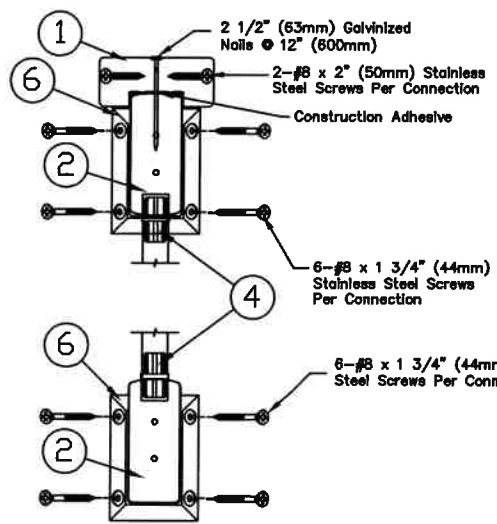


SQUARE BALUSTER INSERT

PARTS LIST	
ITEM	DESCRIPTION
1	282W CAP RAIL GLUED AND NAILED TO TOP RAIL W/2 1/2" GALVANIZED NAILS @ 24" CENTERS AND SKEW SCREWED TO POST W/(2) #8 X 2" STAINLESS STEEL SCREWS
2	280 TOP & BOTTOM RAIL
3	1/8" ALUMINUM PICKET
4	SQUARE BALUSTER INSERT
5	DECK POST (See Note (1) & (2))
6	HANGER BRACKET ASSEMBLY TO RAILS W/(2) #8 X 1 3/4" STAINLESS STEEL SCREWS AND TO POST W/(4) #8 X 1 3/4" STAINLESS STEEL SCREWS

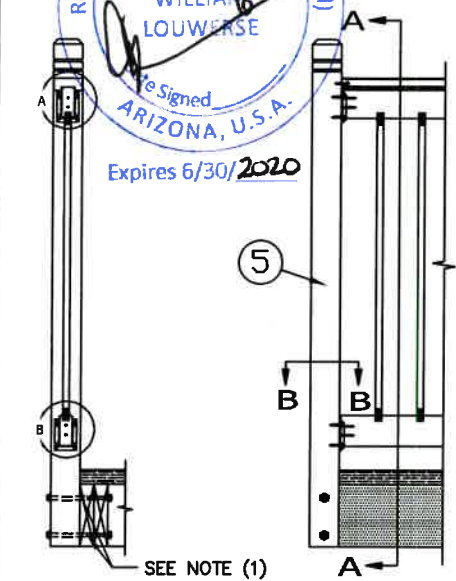
END POST CONNECTION

MID POST CONNECTION

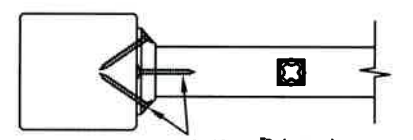


DETAIL A & B  
SCALE 1 : 4

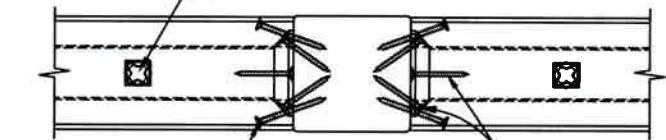
SEE NOTE (1)



SECTION A-A



SECTION B-B  
SCALE 1 : 4



SECTION C-C  
SCALE 1 : 4

No.	PART	BILL OF MATERIALS	QTY.	Cut Length	±	No.	PART	BILL OF MATERIALS	QTY.	Cut Length	±	No.	PART	BILL OF MATERIALS	QTY.	Cut Length	±
1	282W	1 3/8" X 3 1/8" Cap Rail	1	N/A	N/A	5	910654	3 1/4" X 54" Deck Post	2	N/A	N/A	9					
2	280	Pre-drilled Rail	2	N/A	N/A	6	HW95096	Rail Hanger Bracket	4	N/A	N/A	10					
3	V5309	5/8" x 31.75" Picket	15	N/A	N/A	7		#8 x 1 3/4" SS Screw	24	N/A	N/A	11					
4	AL9408	5/8" Square Baluster Adapter	30	N/A	N/A	8						12					

DWN BY:  
 DATE: May 18, 2018  
 PART NAME:  
**POST-CONNECTION**  
 EST. WEIGHT lbs/N/A Kg/N/A

Somerset  
Cad File

The recipient of this information hereby acknowledges and agrees that information obtained herein is proprietary to Vista Railing Systems Inc. and shall not be used, disclosed and / or duplicated except in accordance with the expressed written authorization of VRS