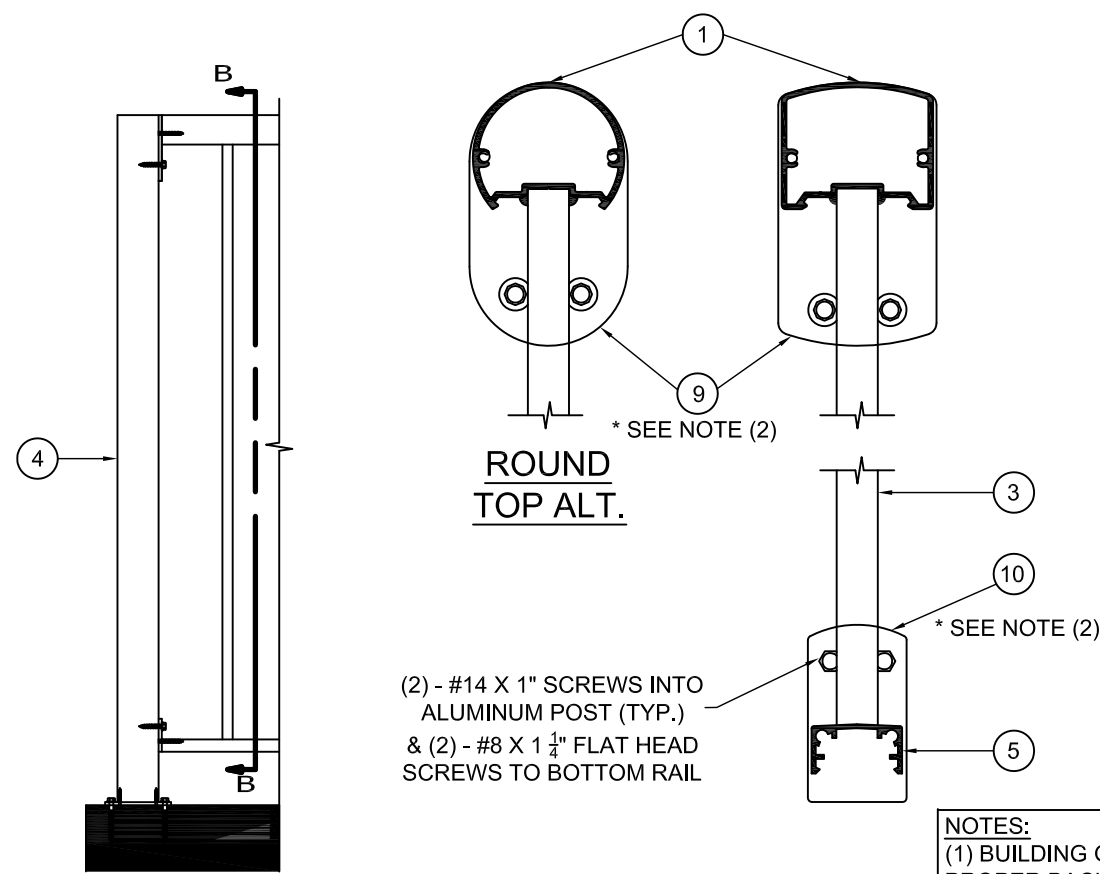
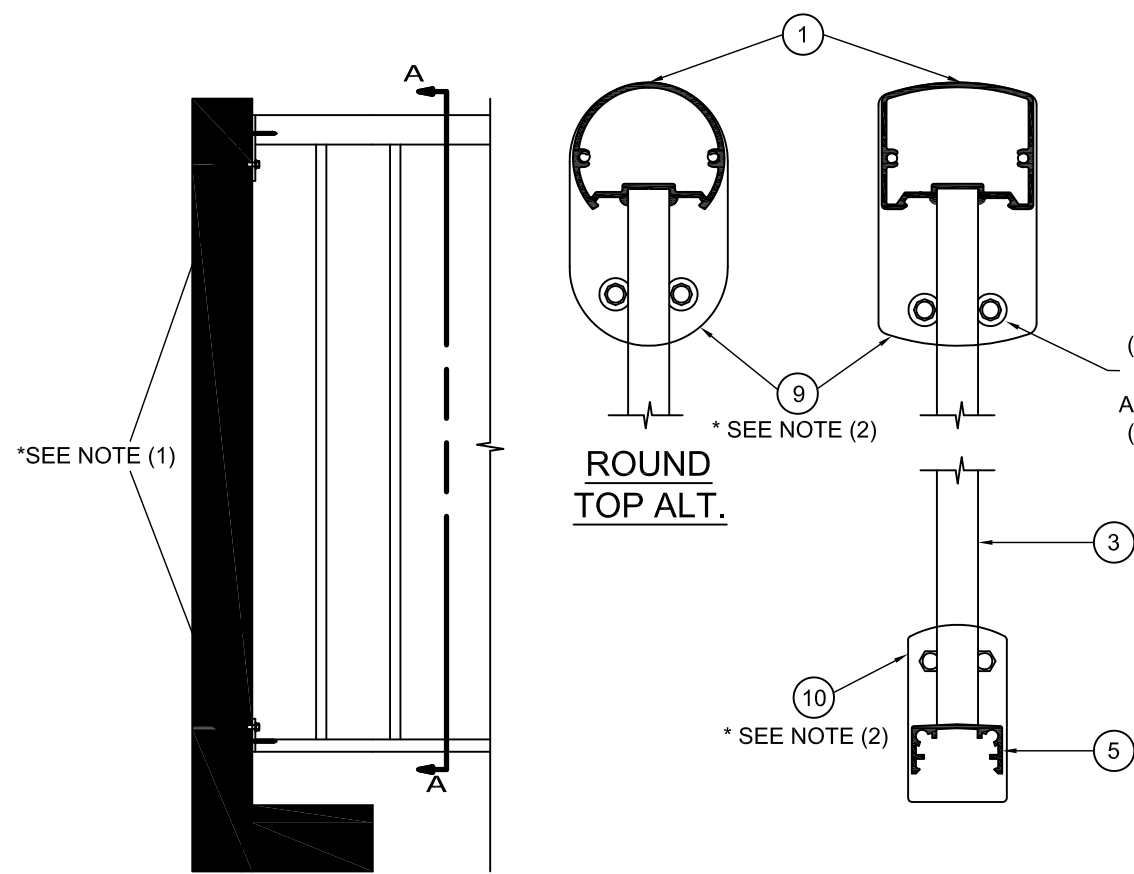


BUILDING CONNECTION

2 1/2" ALUMINUM POST CONNECTION

PARTS LIST	
ITEM	DESCRIPTION
1	2 1/4" SQUARE □ OR ROUND TOP □ RAIL (CHECK CORRECT BOX)
2	(NOT SHOWN)
3	5/8" X 5/8" ALUMINUM PICKET
4	2 1/2" STANDARD ALUMINUM POST
5	1 3/8" X 3/4" BOTTOM CHANNEL
6	(NOT SHOWN)
7	PICKET LEG
8	(NOT SHOWN)
9	TOP RAIL END CLIP
10	BOTTOM RAIL END CLIP
11	(NOT SHOWN)
12	(NOT SHOWN)



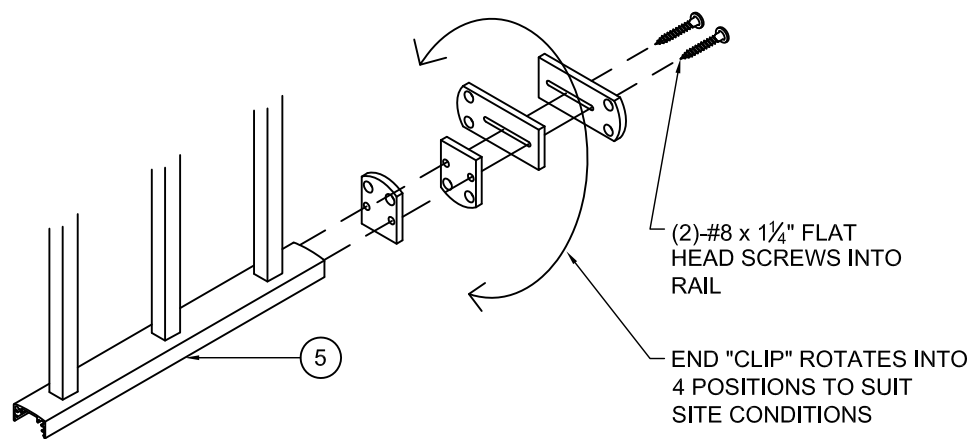
END CLIP CONNECTION

SECTION A-A

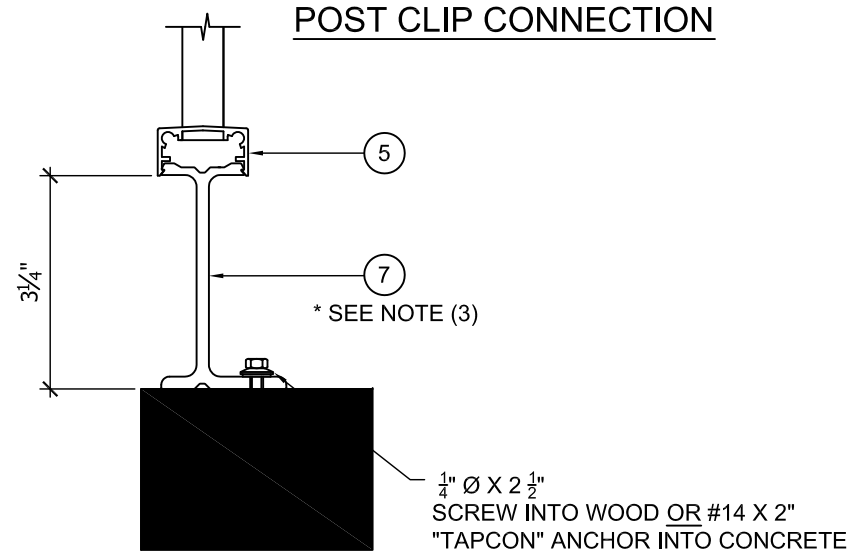
POST CLIP CONNECTION

SECTION B-B

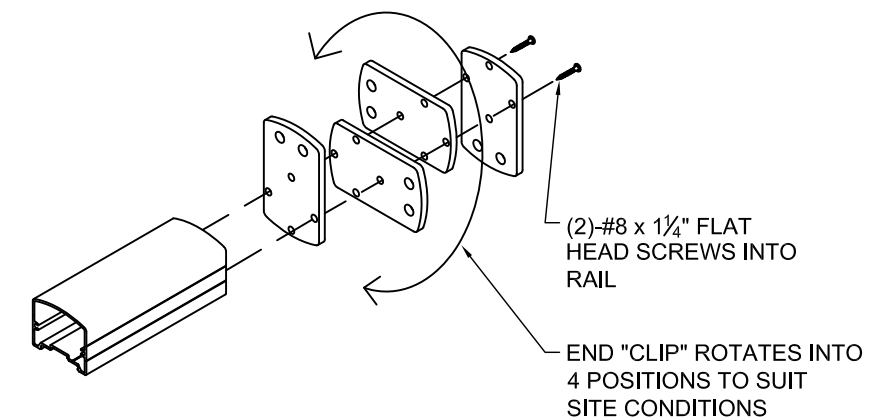
NOTES:
 (1) BUILDING GENERAL CONTRACTOR MUST ENSURE THAT PROPER BACKING IS PROVIDED FOR FIRM ANCHORAGE OF GUARD RAIL ENDS
 (2) TOP & BOTTOM END CLIPS ROTATE IN 4 POSITIONS (DEFAULT POSITION SHOWN, ROTATE TO SUIT SITE CONDITIONS PER 3D DIAGRAM BELOW.
 (3) PICKET LEG SNAPS INTO BOTTOM RAIL PROFILE (CONNECT PER "TP" DRAWINGS)



BOTTOM RAIL END CLIP ROTATION



PICKET LEG CONNECTION



TOP RAIL END CLIP ROTATION

Manufactured by...
vista pro
 23282 River Road, Maple Ridge, BC, Canada, V2W 1B6
 Phone: 604-467-5147 info@vistarailings.com
 Fax: 604-467-1197 www.vistarailings.com

PROJECT:
PROJECT NAME
 CLIENT:
CLIENT NAME

LOCATION:
ADDRESS
CITY

ALUMINUM GUARDRAILS			
DRAWN	RK	PROJECT No	YEAR / No
DESIGNED	RDH	CHECKED	RDH
SCALE	NTS	CHECKED	DATE

PLEASE NOTE: These drawings are for general guidelines only and are not stamped engineered shop drawings. It is important that for any project or site specific applications and requirements, shop drawings must be created and stamped by a Professional Engineer.

TOP MOUNT END CONNECTIONS
 DRAWING No **TPE**