

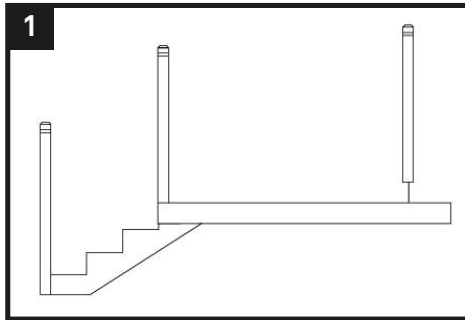


vista

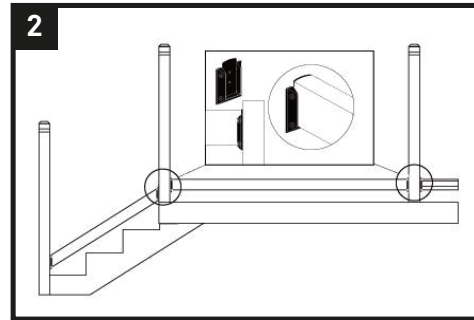
style &
simplicity

Traditional Railing Kit System

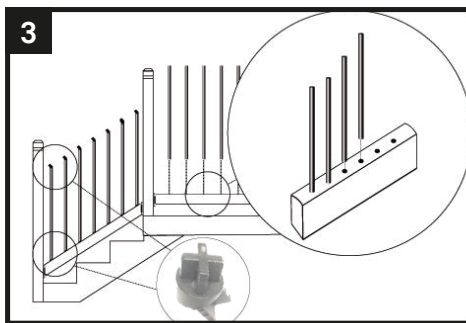
Traditional Railing Kit System



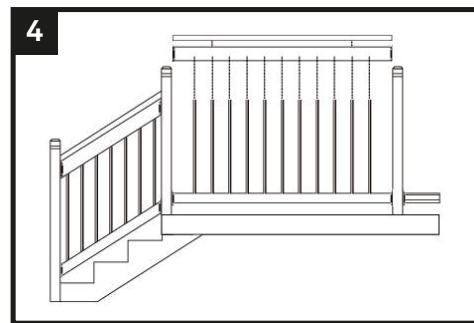
1 Set newel posts (sold separately) to accommodate pre-drilled rail length. Center pre-drilled rail between newel posts and trim equal amounts from each end of top and bottom rails.



2 Slide Rail Hanger Bracket over the end of the rail and attach with screws through end of rail. (Hint: Opening of bracket must always be up)



3 With a high-quality polyurethane construction adhesive, fill all the holes half way. Insert balusters into pre-drilled holes in rail. This will bond the wood to the balusters. Best to use 26" baluster option for stairs.



4 Attach pre-drilled top rail, fasten railing section to post with hanger bracket, attach cap rail with high-quality construction adhesive.

EVERYTHING YOU NEED BETWEEN THE POSTS!

- 2 profled & precision factory pre-drilled rails
- 1 profled cap rail
- 2 pairs of rail hanger brackets with fasteners
- Powder-coated balusters (round/straight)



6FT kit 36" 3 rail Brown Treated - CRBTR6B26M
6FT kit 36" 3 rail Premium Western Red Cedar - CRWRC6B26M



6FT kit 42" 3 rail Brown Treated - CRBTR6B32M
6FT kit 42" 3 rail Premium Western Red Cedar - CRWRC6B32M



8FT kit 36" 3 rail Brown Treated - CRBTR8B26M
8FT kit 42" 3 rail Brown Treated - CRBTR8B32M



STAIR ANGLE ADAPTERS
Black 15 pack AL9400B00W



RAIL HANGER BRACKET
Pack of 2 with fasteners HW9509600W



NOTE: Contact your local building department prior to installation. Available in Premium Western Red Cedar and Brown treated. Level kits can be converted by using the stair rail adapters that change balusters to rail connection to an exterior stair angle. Posts also available for purchase in Premium Western Red Cedar and Brown treated (posts are not included in the kit). Available in 36" and 42" railing height.