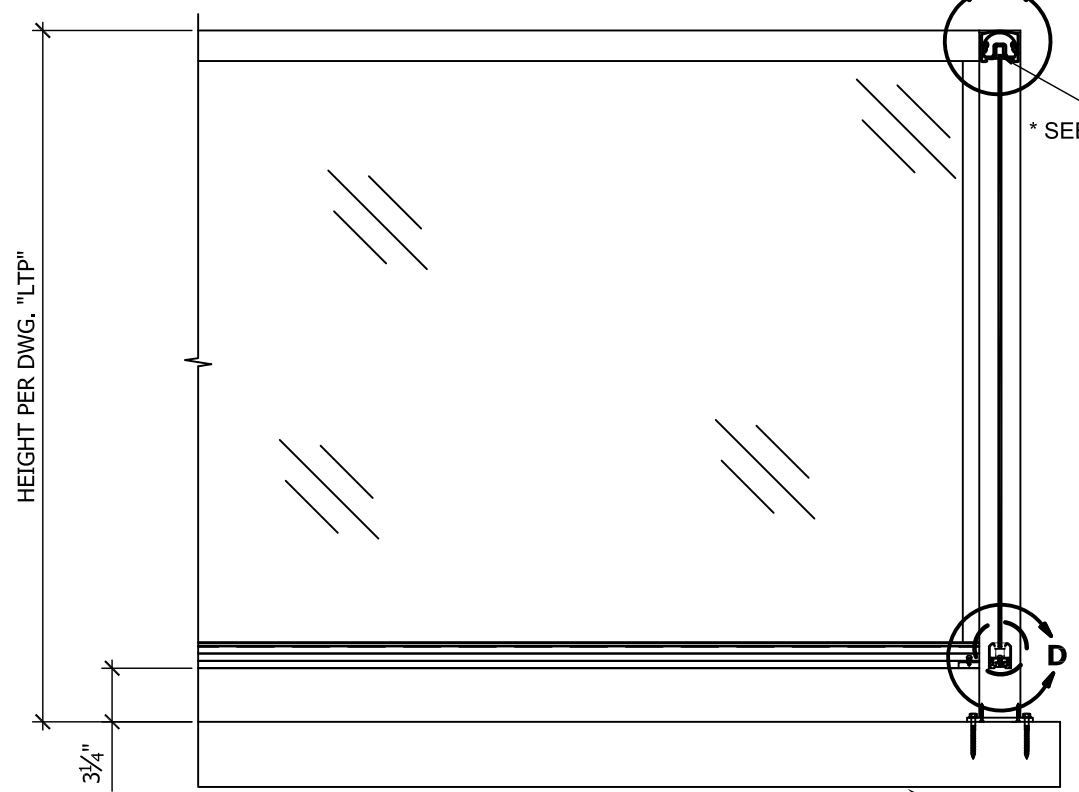
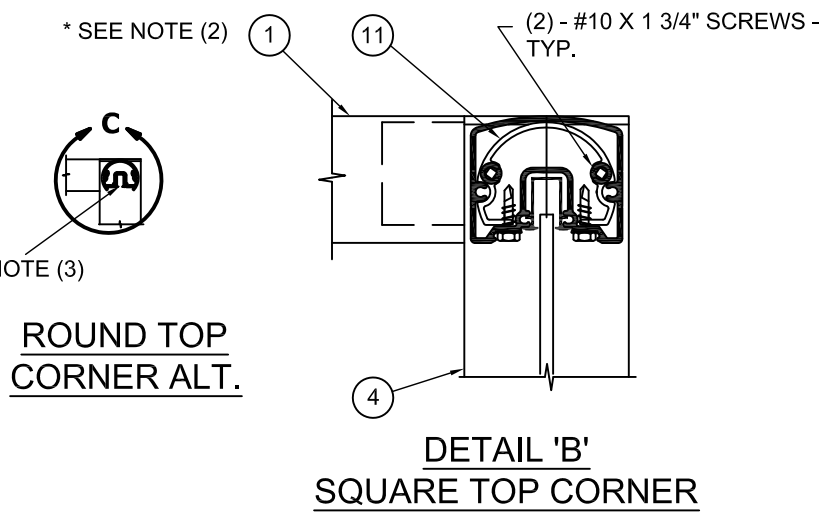


SECTION A-A

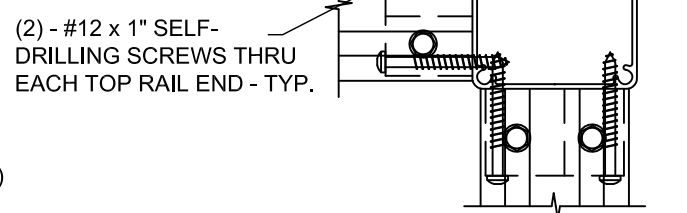


ELEVATION

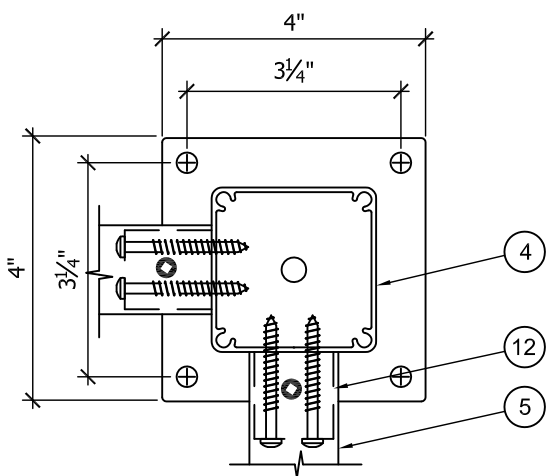


ROUND TOP CORNER ALT.

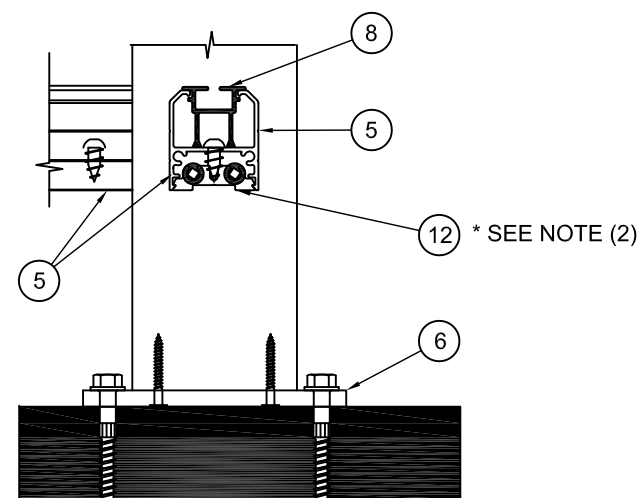
DETAIL 'B' SQUARE TOP CORNER



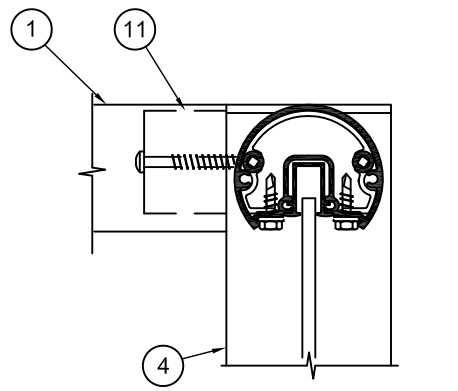
SECTION E-E



SECTION F-F



DETAIL 'D' BOTTOM CORNER



DETAIL 'C' ROUND TOP CORNER

NOTES:  
 (1) BUILDING GENERAL CONTRACTOR IS RESPONSIBLE FOR PROVIDING ADEQUATE BACKING IN WALLS AND FLOORS TO AFFIX TO THE BUILDING THE ALUMINUM GUARDRAIL LAYOUT DEFINED IN THESE DRAWINGS

PARTS LIST	
ITEM	DESCRIPTION
1	2 1/4" SQUARE □ OR ROUND TOP □ RAIL (CHECK CORRECT BOX)
2	(NOT SHOWN)
3	TEMPERED GLASS PANEL 5mm THK. IN CANADA □ OR 1/4" THK. IN USA □ (CHECK CORRECT BOX)
4	2 1/2" STANDARD ALUMINUM POST
5	BOTTOM GLASS CHANNEL W/ (2)-#8 X 1/2" PAN HEAD SHEET SCREWS TO BLOCK
6	4" X 4" X 1/4" BASE C/W (4) - 5/16" Ø X 3 1/4" LAG SCREW INTO WOOD OR (4) - 3/8" Ø X 3" KWIK BOLTS II ANCHORS INTO CONCRETE AND TO POST W/ (4)-#12 X 2" FLAT HEAD SCREWS
7	TOP GLAZING GASKET
8	BOTTOM GLAZING GASKET
9	(NOT SHOWN)
10	(NOT SHOWN)
11	INSIDE SLEEVE
12	CHANNEL BLOCK C/W (2)- #10 X1 3/4" SCREWS TO POST

Manufactured by...  
**vista pro**  
 23282 River Road, Maple Ridge, BC, Canada, V2W 1B6  
 Phone: 604-467-5147 info@vistarailings.com  
 Fax: 604-467-1197 www.Vistarailings.com

PROJECT:  
**PROJECT NAME**  
 CLIENT:  
**CLIENT NAME**

LOCATION:  
**ADDRESS**  
**CITY**

ALUMINUM GUARDRAILS			
DRAWN	RK	PROJECT No	YEAR / No
DESIGNED	RDH	CHECKED	RDH
SCALE	NTS	CHECKED	DATE

PLEASE NOTE: These drawings are for general guidelines only and are not stamped engineered shop drawings. It is important that for any project or site specific applications and requirements, shop drawings must be created and stamped by a Professional Engineer.

**TOP MOUNT 2.5 POST CORNER GUARD CORNER**  
 DRAWING No **TGC2.5**