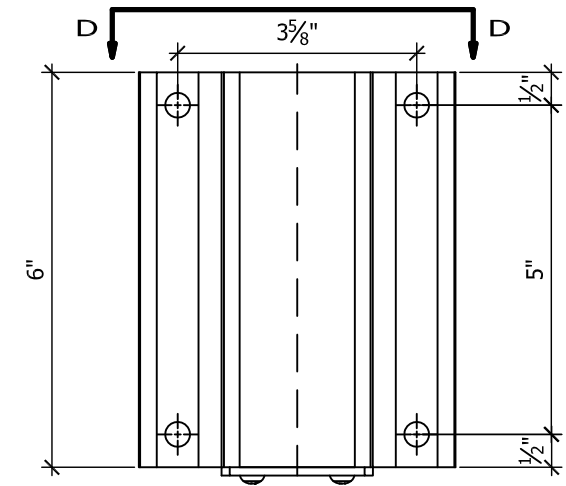
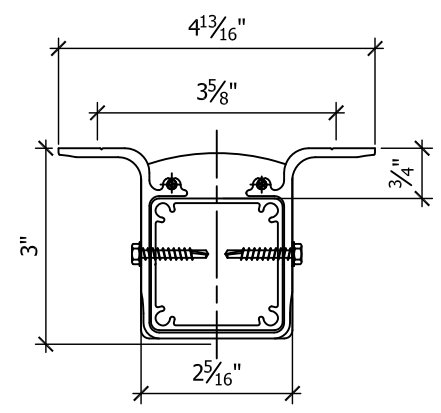


END CLIP CONNECTION

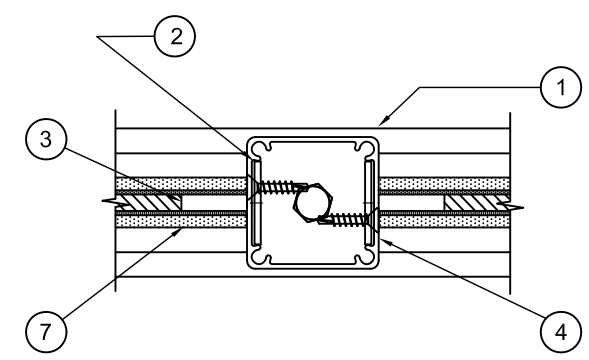
ELEVATION



DETAIL 'C'
FASCIA BRACKET



SECTION D-D



SECTION B-B
POST CONNECTION

PARTS LIST	
ITEM	DESCRIPTION
1	2 1/4" SQUARE □ OR ROUND TOP □ RAIL (CHECK CORRECT BOX)
2	RAIL/POST CONNECTOR C/W 3/8" Ø NUT AND BOLT TO RAIL & (2) - #8 X 1/2" SCREWS TO POST
3	TEMPERED GLASS PANEL 5mm THK. IN CANADA □ OR 1/4" THK. IN USA □ (CHECK CORRECT BOX)
4	2" STANDARD ALUMINUM POST
5	BOTTOM GLASS CHANNEL W/ (2)-#8 X 1/2" PAN HEAD SHEET SCREWS TO BLOCK
6	FASCIA BRACKET (2" POST) C/W (4) - 5/16" Ø X 4" LAG SCREW INTO WOOD OR (4) - 3/8" Ø X 3" KWIK BOLTS II ANCHORS INTO CONCRETE AND TO POST W/ (4)-#12 X 1" HEX HEAD SCREWS C/W SHEET METAL THREADS AND 1/4" SHANK
7	TOP GLAZING GASKET
8	BOTTOM GLAZING GASKET
9	TOP RAIL END CLIP C/W (2)-1/4" Ø X 2 1/2" SCREWS INTO WOOD OR (2)-#14 X 1" SCREWS INTO ALUMINUM POST & (2)-#8 X 1 1/4" FLAT HEAD SCREWS TO TOP RAIL
10	BOTTOM RAIL END CLIP C/W (2)-1/4" Ø X 2 1/2" SCREWS INTO WOOD OR (2)-#14 X 1" SCREW INTO ALUMINUM POST AND (2)- #8 X 1 1/4" FLAT HEAD SCREWS TO BOTTOM RAIL
11	(NOT SHOWN)
12	CHANNEL BLOCK C/W (2)- #10 X 1 3/4" SCREWS TO POST

NOTES:
 (1) BUILDING GENERAL CONTRACTOR IS RESPONSIBLE FOR PROVIDING ADEQUATE BACKING IN WALLS AND FLOORS TO AFFIX TO THE BUILDING THE ALUMINUM GUARDRAIL LAYOUT DEFINED IN THESE DRAWINGS.

Manufactured by...
vista pro
 23282 River Road, Maple Ridge, BC, Canada, V2W 1B6
 Phone: 604-467-5147 info@vistarailings.com
 Fax: 604-467-1197 www.Vistarailings.com

PROJECT:
PROJECT NAME

CLIENT:
CLIENT NAME

LOCATION:
ADDRESS
CITY

ALUMINUM GUARDRAILS			
DRAWN	RK	PROJECT No	YEAR / No
DESIGNED	RDH	CHECKED	RDH
SCALE	NTS	CHECKED	DATE

PLEASE NOTE: These drawings are for general guidelines only and are not stamped engineered shop drawings. It is important that for any project or site specific applications and requirements, shop drawings must be created and stamped by a Professional Engineer.

FASCIA MOUNT 2.0 POST GLASS GUARD

DRAWING No
FG2.0