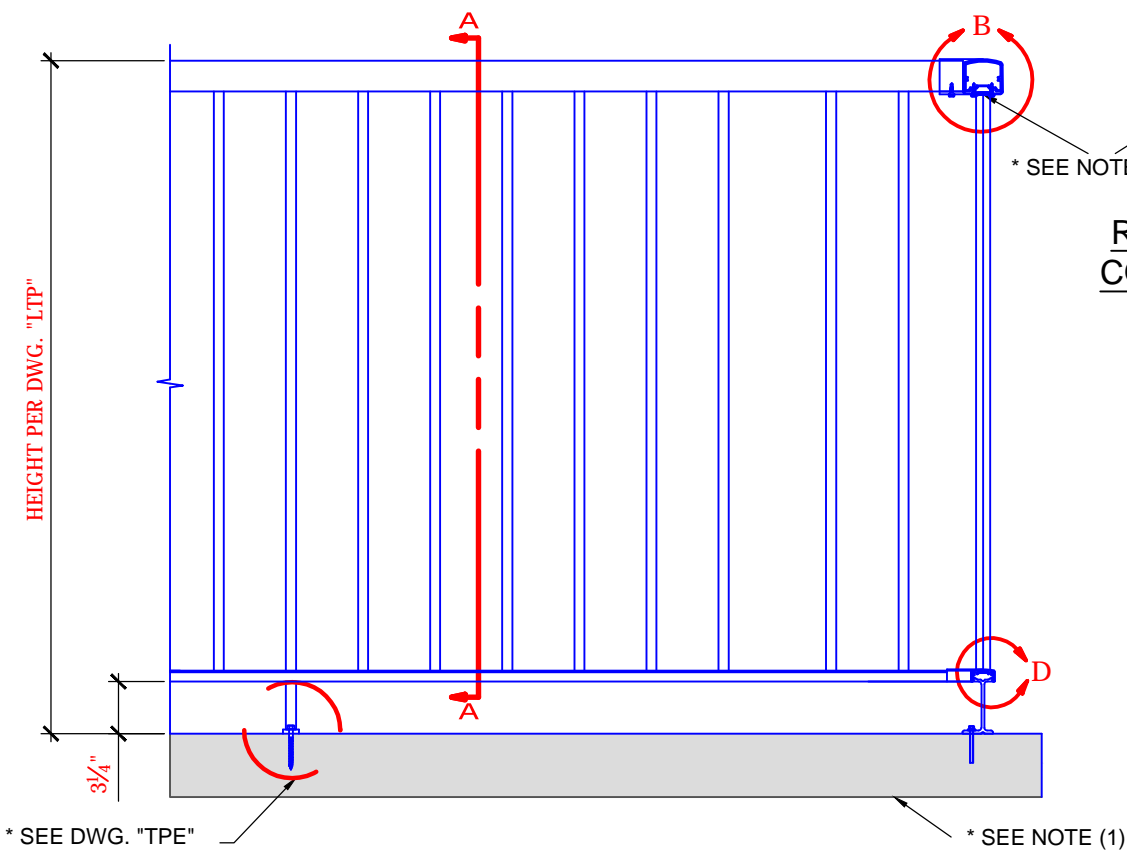
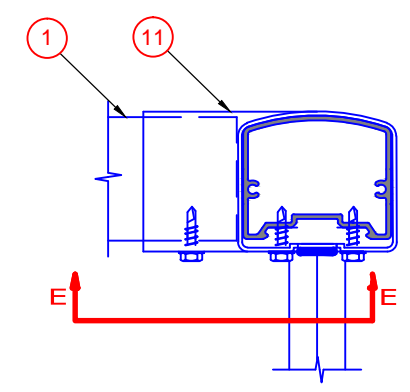


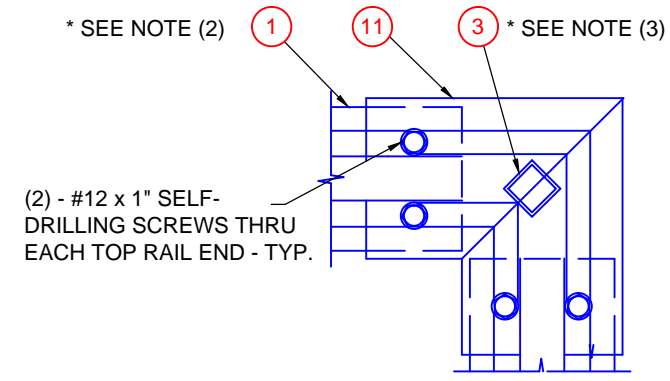
SECTION A-A



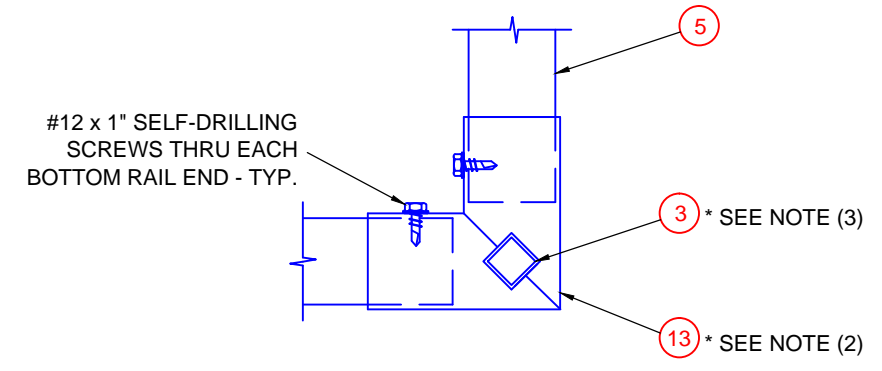
ROUND TOP CORNER ALT.



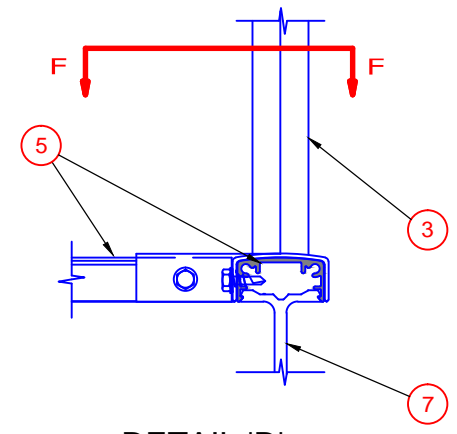
DETAIL 'B' SQUARE TOP CORNER



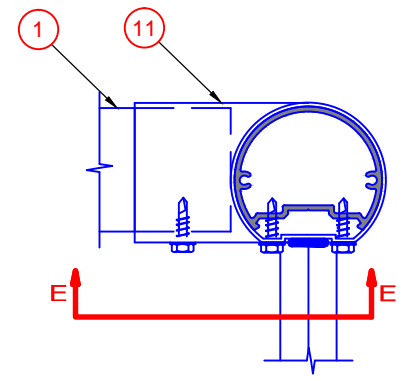
SECTION E-E



SECTION F-F



DETAIL 'D' BOTTOM CORNER



DETAIL 'C' ROUND TOP CORNER

PARTS LIST	
ITEM	DESCRIPTION
1	2 1/4" SQUARE <input type="checkbox"/> OR ROUND TOP <input type="checkbox"/> RAIL (CHECK CORRECT BOX)
2	(NOT SHOWN)
3	5/8" X 5/8" ALUMINUM PICKET
4	(NOT SHOWN)
5	1 3/8" X 3/4" BOTTOM CHANNEL
6	(NOT SHOWN)
7	PICKET LEG C/W 1/4" Ø X 2 1/2" SCREW INTO WOOD OR #14 X 2" "TAPCON" ANCHOR INTO CONCRETE
8	(NOT SHOWN)
9	(NOT SHOWN)
10	(NOT SHOWN)
11	TOP RAIL EXTERNAL CORNER SLEEVE
12	(NOT SHOWN)
13	BOTTOM CHANNEL CORNER SLEEVE

NOTES:  
 (1) BUILDING GENERAL CONTRACTOR IS RESPONSIBLE FOR PROVIDING ADEQUATE BACKING IN WALLS AND FLOORS TO AFFIX TO THE BUILDING THE ALUMINUM GUARDRAIL LAYOUT DEFINED IN THESE DRAWINGS  
 (2) ITEM #1 FITS INSIDE ITEM #11 ; ITEM #5 FITS INSIDE ITEM #13  
 (3) ANGLE PICKET AND WELD TO UNDERSIDE OF ITEM #11 & TO ITEM #13 RESPECTIVELY

Manufactured by...  
**VISTA**<sup>®</sup>  
 Professional Railing Systems  
 9747 199A Street, Langley, BC, Canada, V1M 2X7  
 Phone: 604-467-5147 info@vistarailings.com  
 Fax: 604-467-1197 www.vistarailings.com

PROJECT:  
**PROJECT NAME**  
 CLIENT:  
**CLIENT NAME**

LOCATION:  
**ADDRESS**  
**CITY**

ALUMINUM GUARDRAILS			
DRAWN	RK	PROJECT No	YEAR / No
DESIGNED	RDH	CHECKED	RDH
SCALE	NTS	CHECKED	DATE

PLEASE NOTE: These drawings are for general guidelines only and are not stamped engineered shop drawings. It is important that for any project or site specific applications and requirements, shop drawings must be created and stamped by a Professional Engineer.

**TOP MOUNT PICKET CORNER**  
 DRAWING No **TPPC**