



The outstanding success of our products is based on a 25 year long commitment to quality, innovation and continuous improvement. Our people are truly passionate about our products. We offer premium quality products, at competitive prices, with superior value. We are experienced, highly trained people, utilizing state of the art manufacturing processes, to give our best to you. We are the railing people.

Why Aluminum Railings?

Aluminum railings are low maintenance, high strength to weight ratio, recyclable and virtually immune to climatic conditions that cause ongoing problems with other railing options such as steel, iron or wood. Aluminum railing will reduce or eliminate the long term maintenance costs associated with these other railing materials.

Modernize Older Properties

Take advantage of the low maintenance attributes of aluminum railing and the premium quality and superior value of VISTA™ Aluminum Railing to replace, upgrade or modernize the railing on your older multi-family units or condominiums. VISTA™ Aluminum Railings will help improve the market value and street appeal of your properties while lowering your ongoing maintenance costs.



Warranty

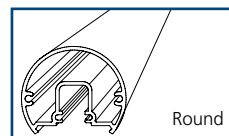
All VISTA™ Aluminum Railing products are covered by warranty against manufacturing defects and workmanship. Ask your VISTA™ representative for details.

Our Company

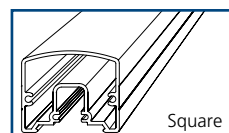
BW Vista Railings Ltd is one of North America's leading manufacturers of aluminum railing systems, components and accessories. Our company and our people have built a solid reputation based on our core values of trust, integrity, respect and fairness.

VISTA™ Aluminum Railings come in a wide range of pre-manufactured panels or project specific manufactured sections. Pre-manufactured panel styles include square or round top rail profiles and straight or wide pickets.

Top Profiles

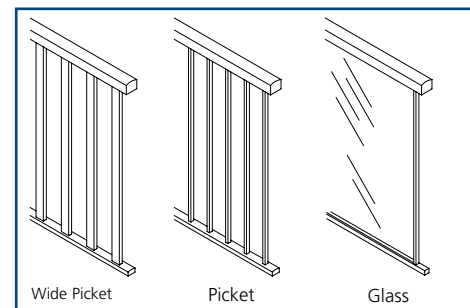


Round



Square

Railing Types



Wide Picket

Picket

Glass



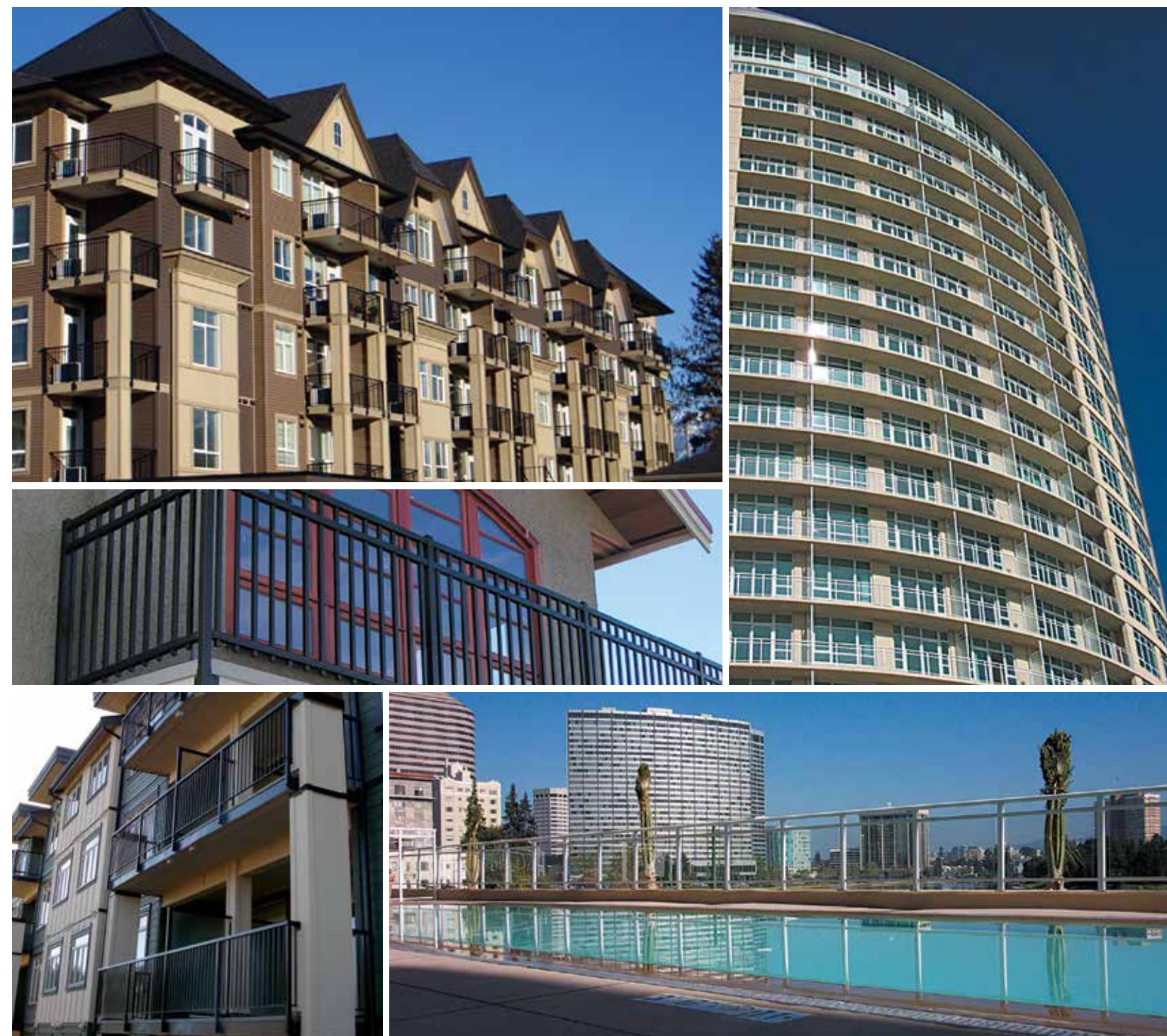
No Repainting. No Rusting. No Rotting.

Your authorized dealer

Toll Free 1.800.667.8247
www.bwvistarailings.com



“Redefine Your Surroundings with Engineered Elegance”



turning good houses
Into Great Homes™

VISTA™ Aluminum Railings are designed and manufactured for the professional railing installer. Whether utilizing our premanufactured welded panels or sections specifically manufactured for your project, BW Vista incorporates the latest technology in aluminum alloys, the finest exterior powder-coatings and 25 years of aluminum manufacturing experience into every project.

Design

VISTA™ Aluminum Railing Systems are designed to offer the flexibility to meet virtually any architectural styling. Straight picket, wide picket, glass panel, square top, round top, frameless wind wall; we can meet your requirements.

Technology and Process

From the quality of the raw materials to the quality infused at every step of the manufacturing process, the quality of VISTA™ Aluminum Railings stand out from the crowd. Using the latest technology in aluminum alloys, through pre-treatment, premium powder-coat application through the paint curing process, each step is carefully monitored and continually tested. When your reputation is on the line, count on the experienced professionals at BW VISTA™.

Quality

For over 25 years we have built an outstanding reputation one customer, one project at a time. Our rigorous testing methods and attention to detail ensure that we are providing you with the highest quality products and value available on the market. We continually strive to be the best and provide you with the best.

Engineering

The VISTA™ Aluminum Railing System is engineered to meet U.S. and Canadian building code requirements. A full VISTA™ Railing Design Manual is available.

